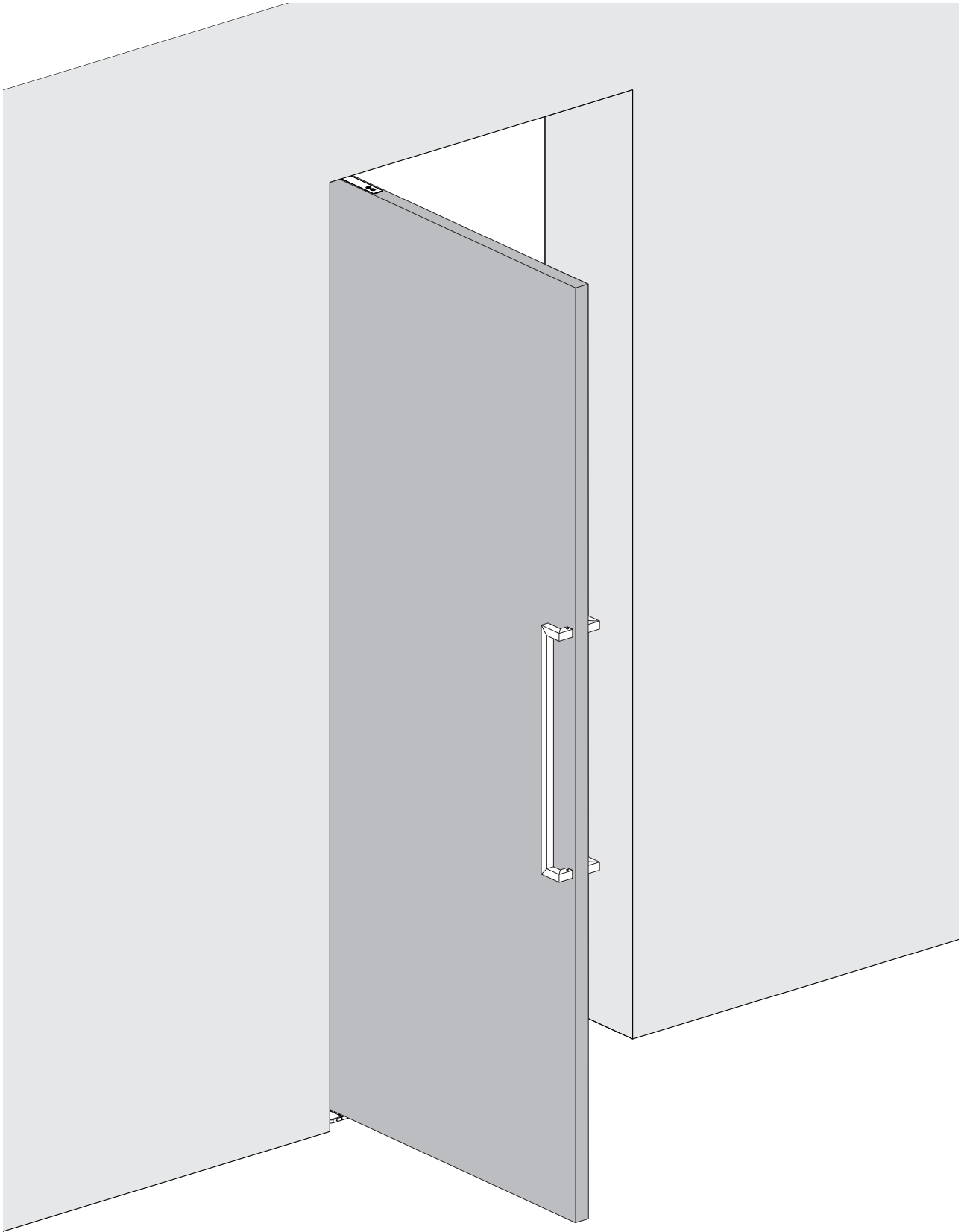
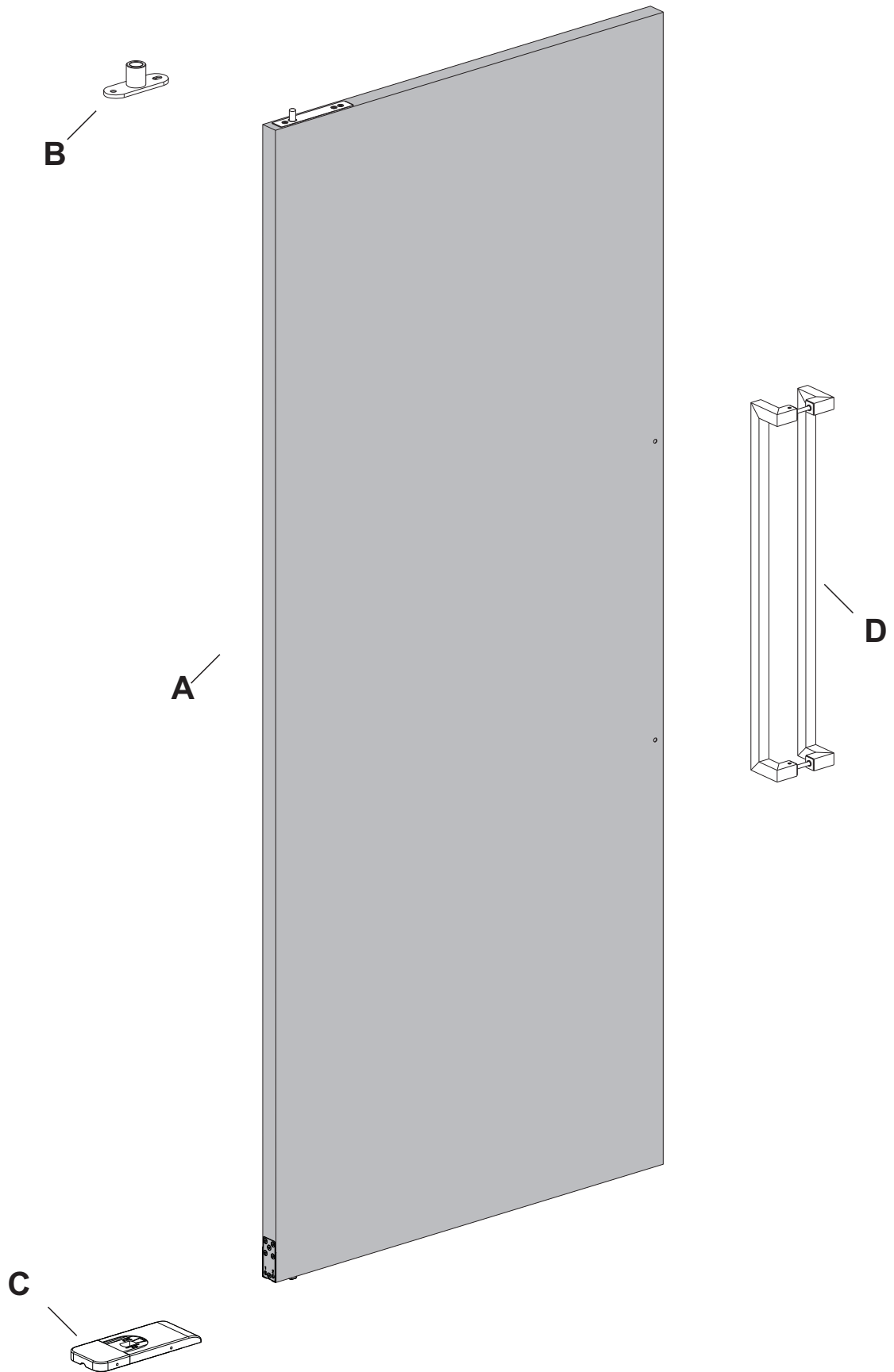


Installation Manual

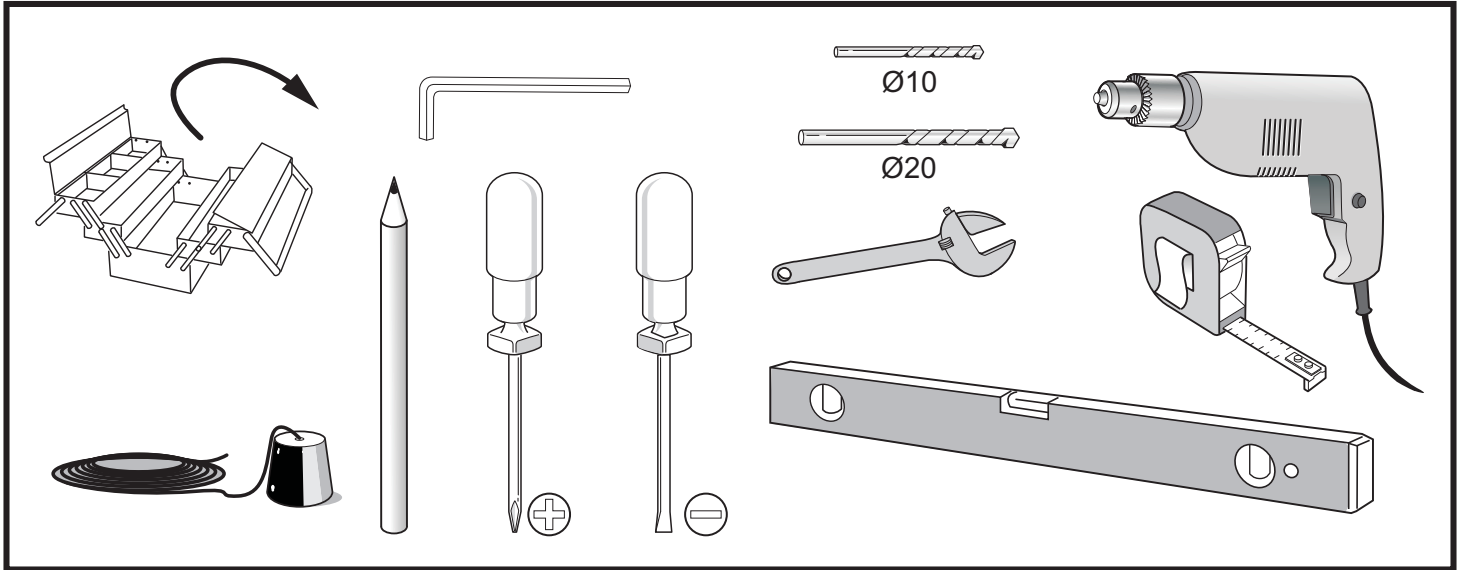


Components list

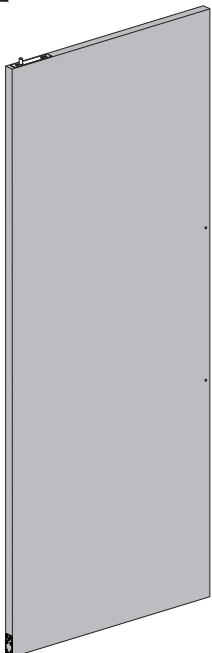
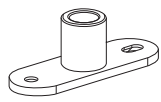


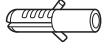
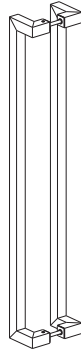
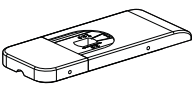


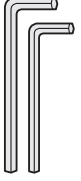


Pre-installation

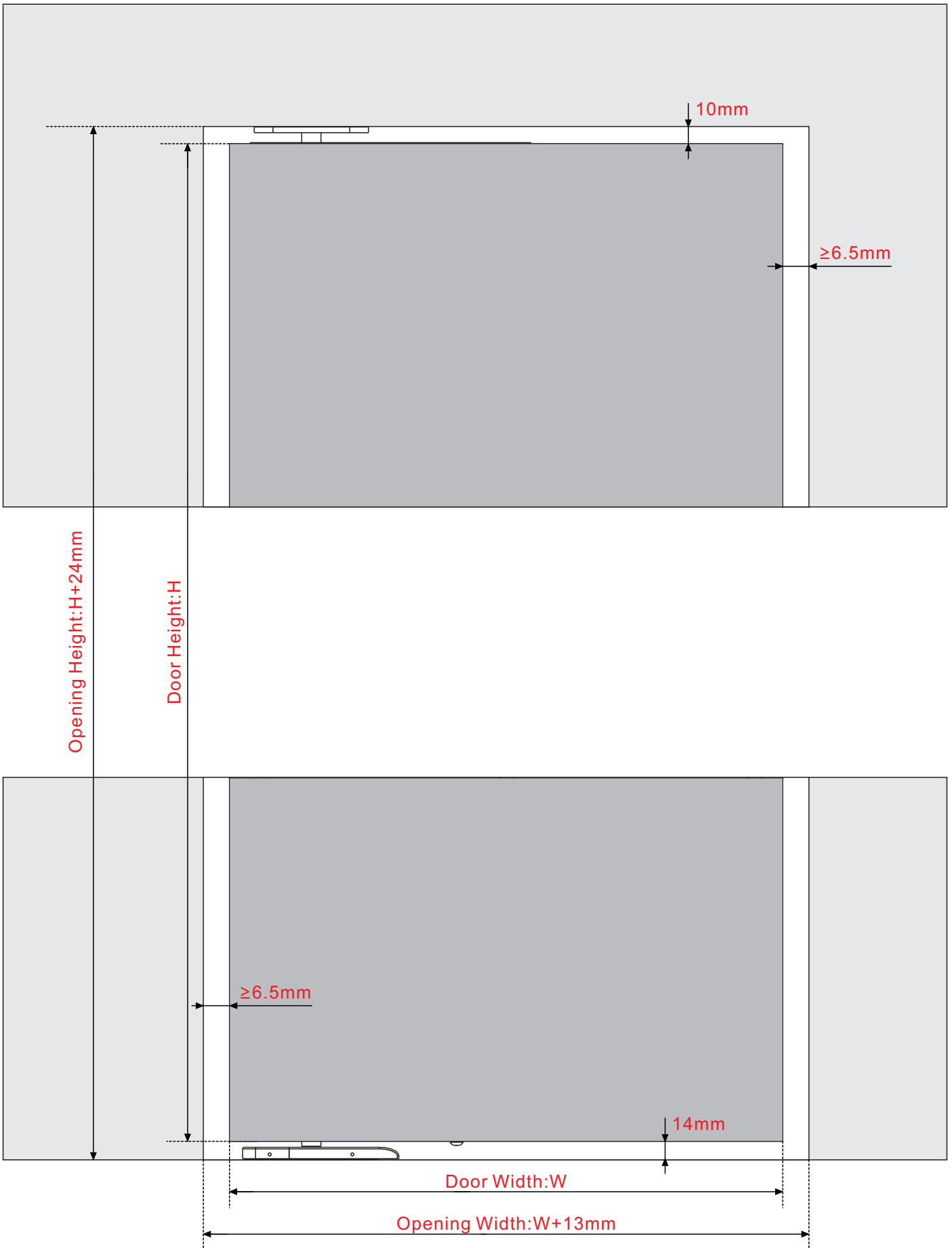
TOOLS REQUIRED



HARDWARE INCLUDED

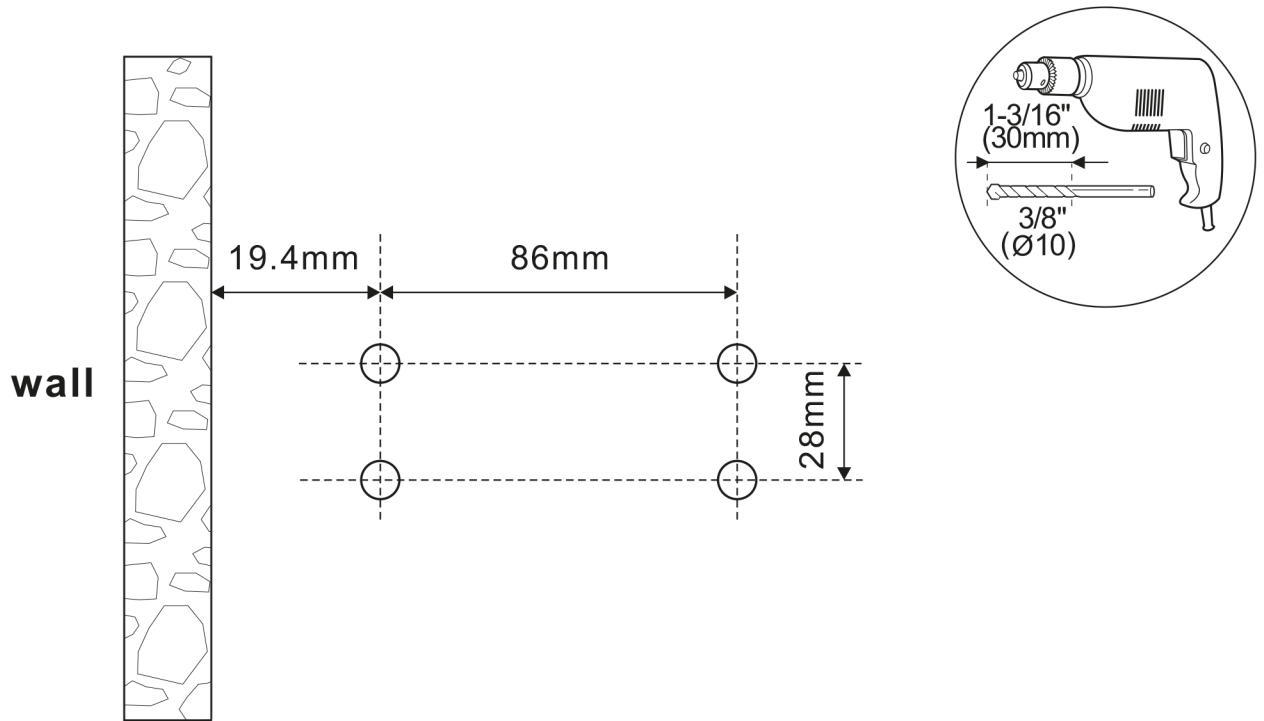
<p>A</p>  <p>(x1)</p>	<p>B</p>  <p>(x1)</p> <p>Wooden Wall</p>  <p>ST4.8x25(x2)</p> <hr/> <p>Cement Wall</p>  <p>ST4.8x38(x2)</p>  <p>Ø8 (x2)</p>	<p>D</p>  <p>(x1)</p>
<p>C</p>  <p>(x1)</p>  <p>M8x25(x4)</p>  <p>Ø10 (x4)</p>	 <p>(x1)</p>	

Door preparation



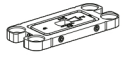
Installation

1 Mounting Plate Drilling Hole Size.



2 Insert screws after drilling the mounting plate. Then fix mounting plate well.

C



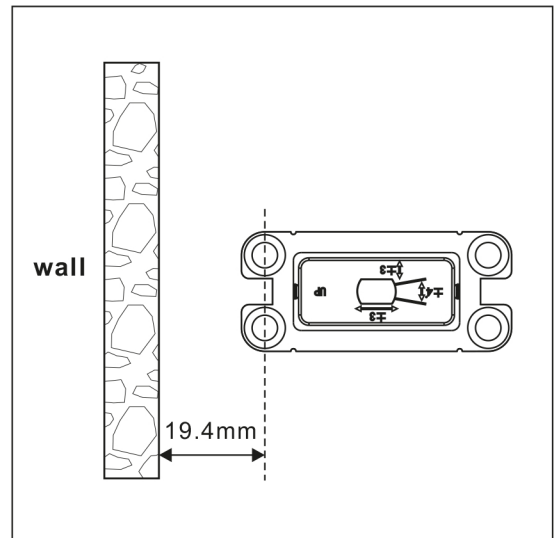
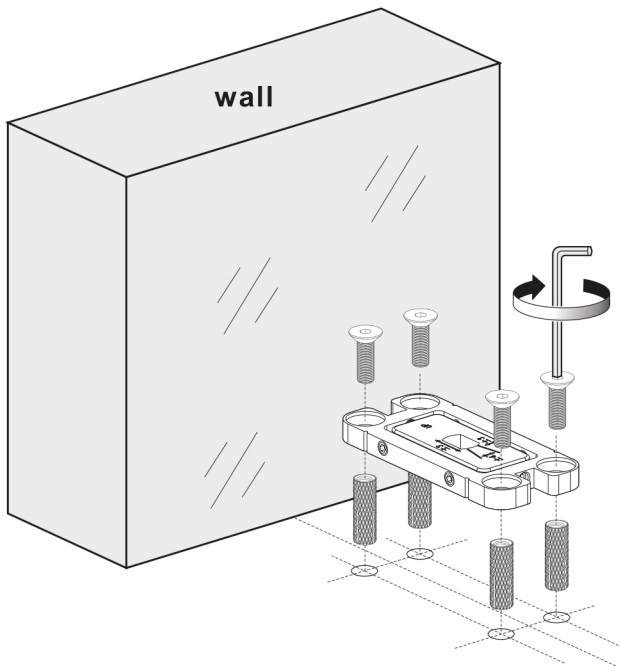
(x1)



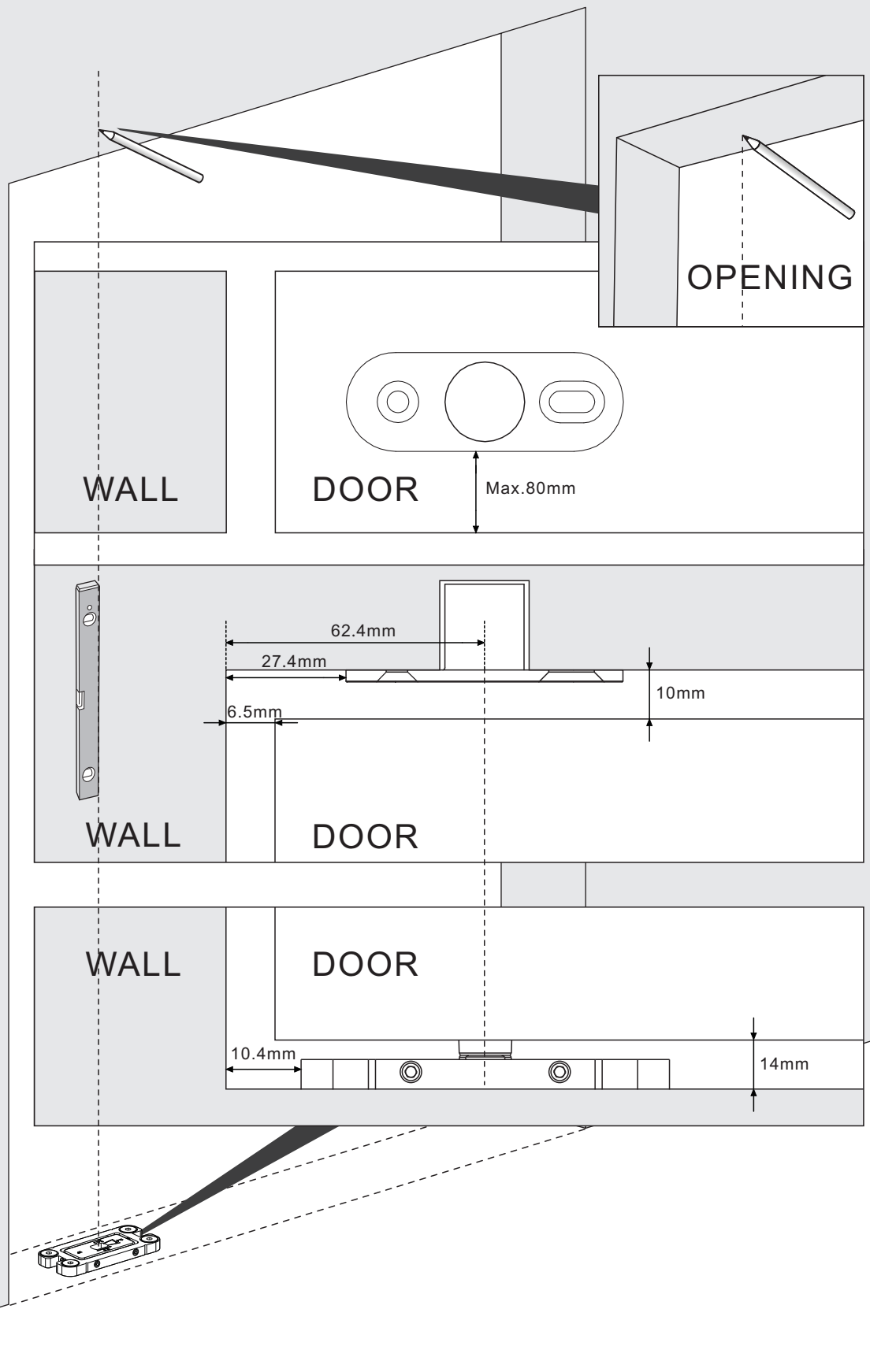
M8x25(x4)



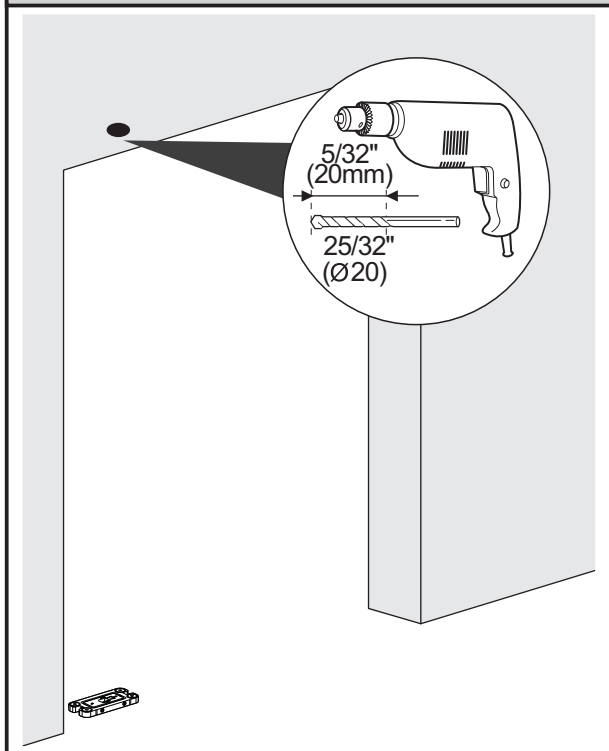
M10x30 (x4)
Ø10 (x4)



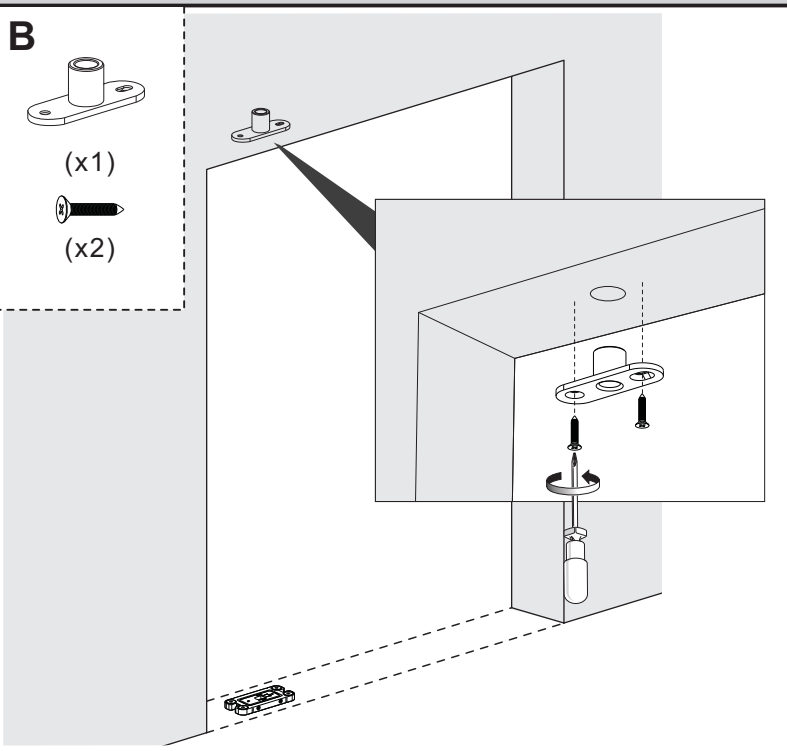
3 Mark the hole position by pencil.



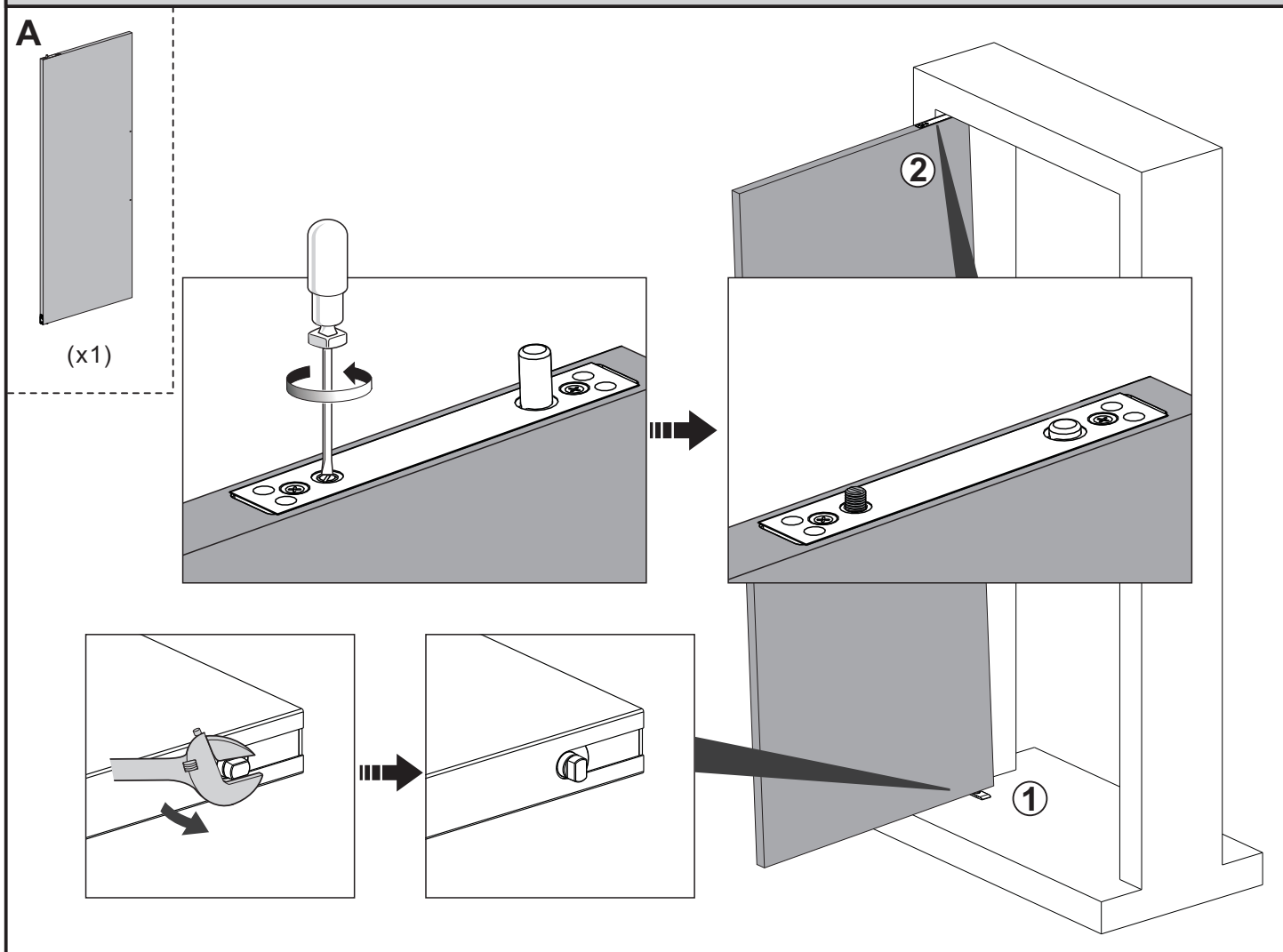
4 Drill holes.



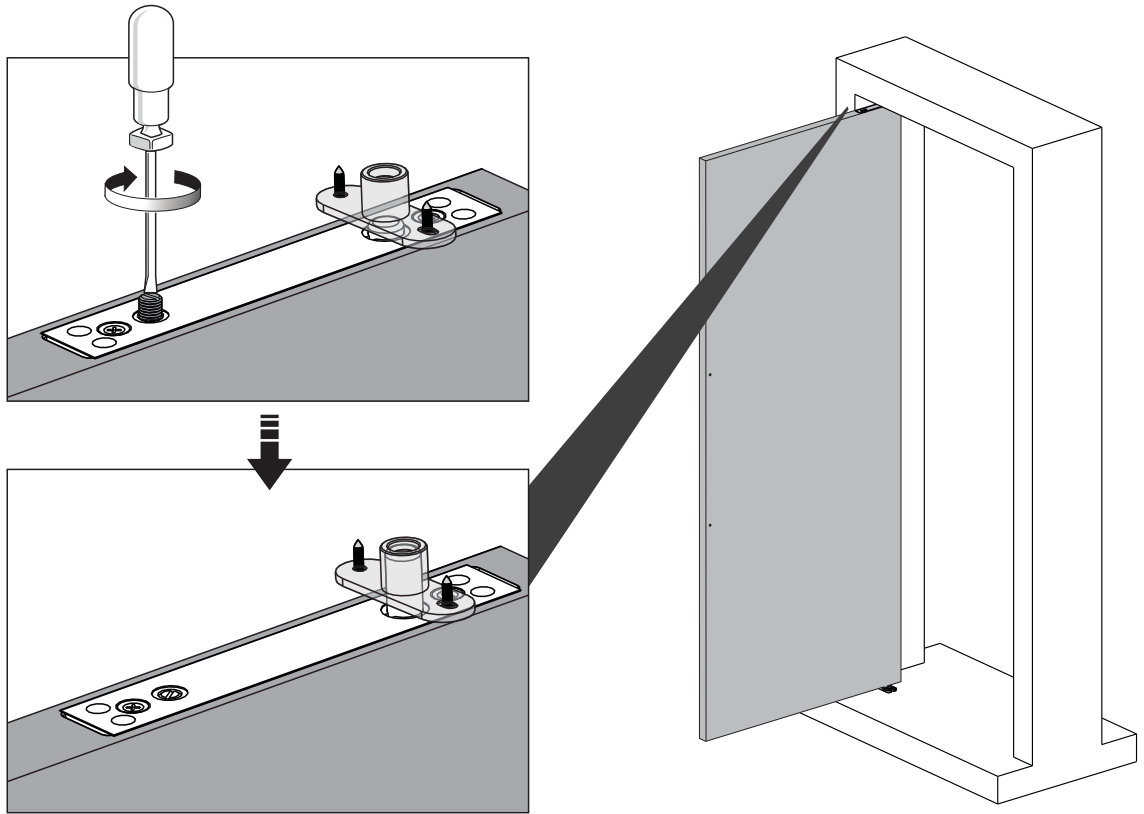
5 Fixing top pivot plate.



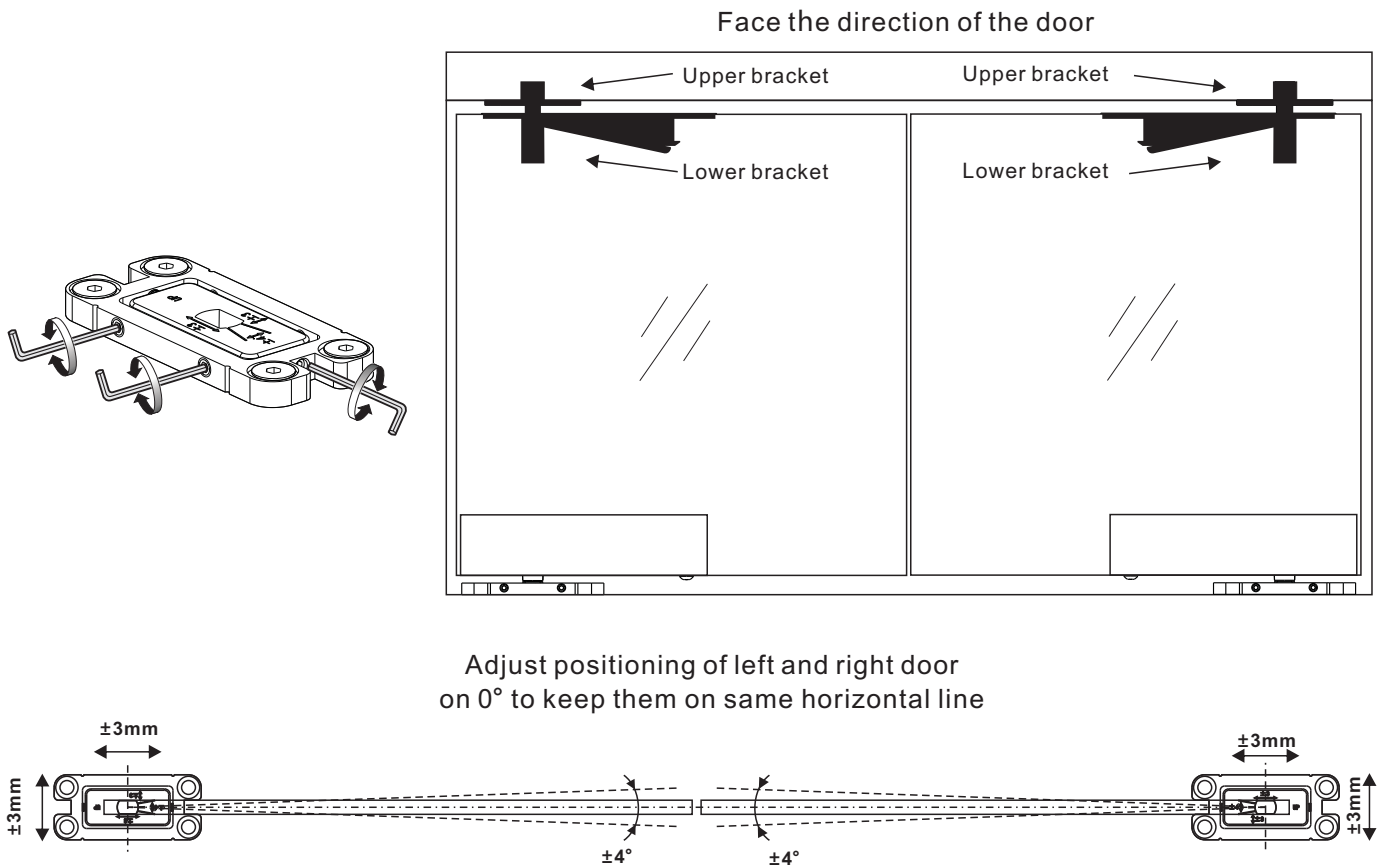
6 Loosen the screws to make pin retract.



7 Fasten the screws to make pin pot out inside the top pivot.



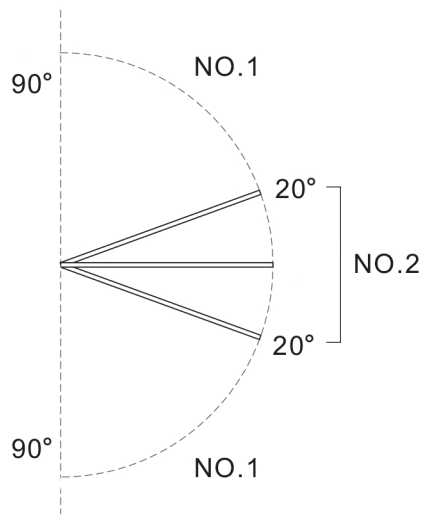
8 Adjust positioning of the door.



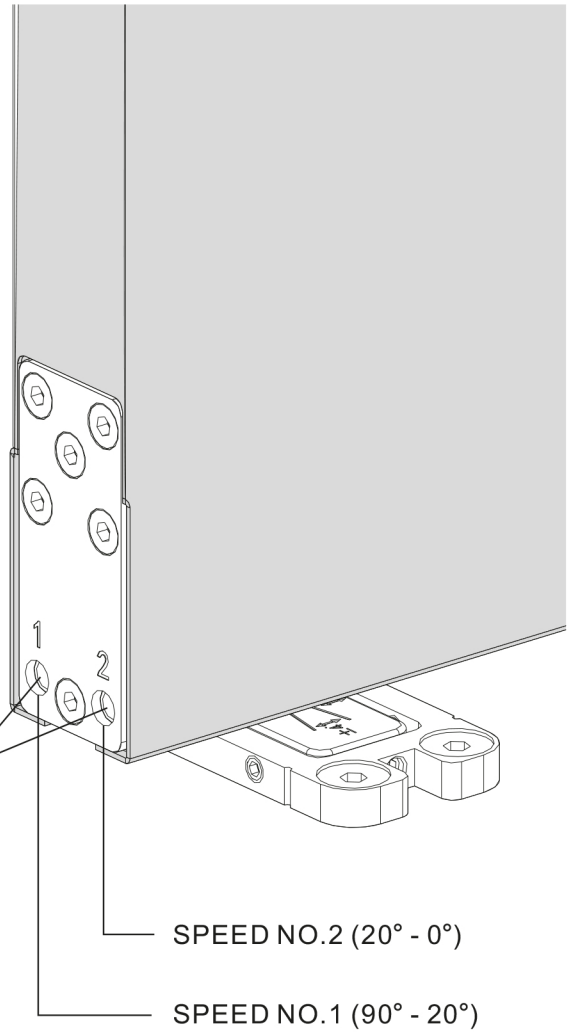
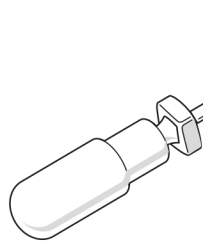
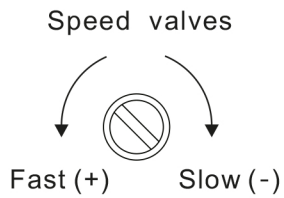
9 Adjust the buffer speed.

Adjust the buffer speed between the first and second speed. Adjust the first speed, then adjust the second speed till door works smoothly. It is a best way to adjust speed to turn speed valves 1/4 circle every time.

Hold open at 90 or no hold open

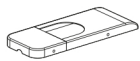


Hold open at 90 or no hold open

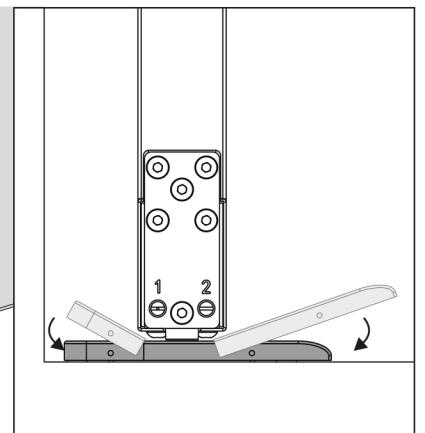
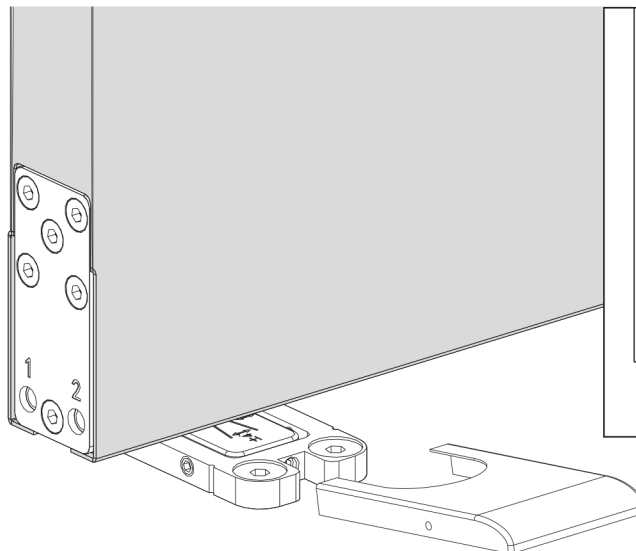
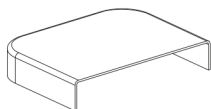


10 Put on black steel covers.

C



(x1)



11 Mount a handle.

D



(x1)

