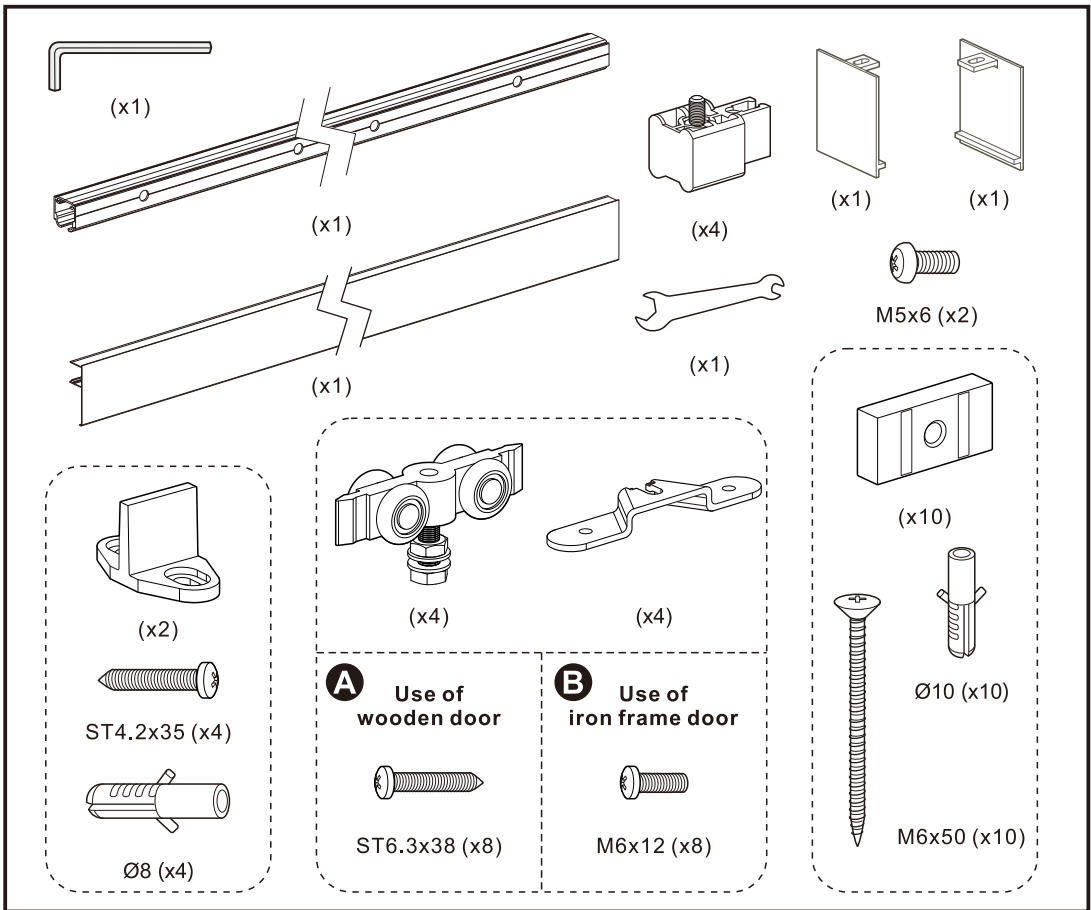
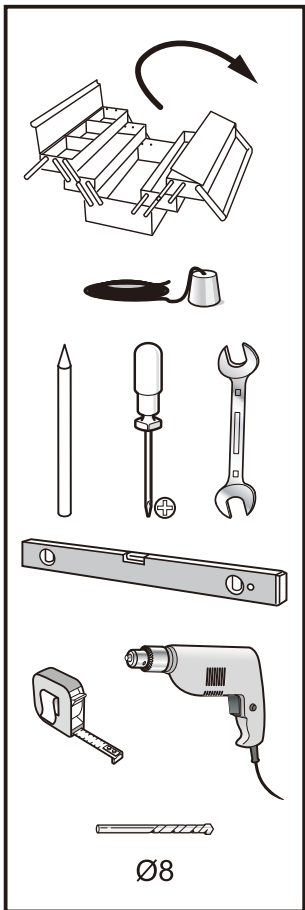
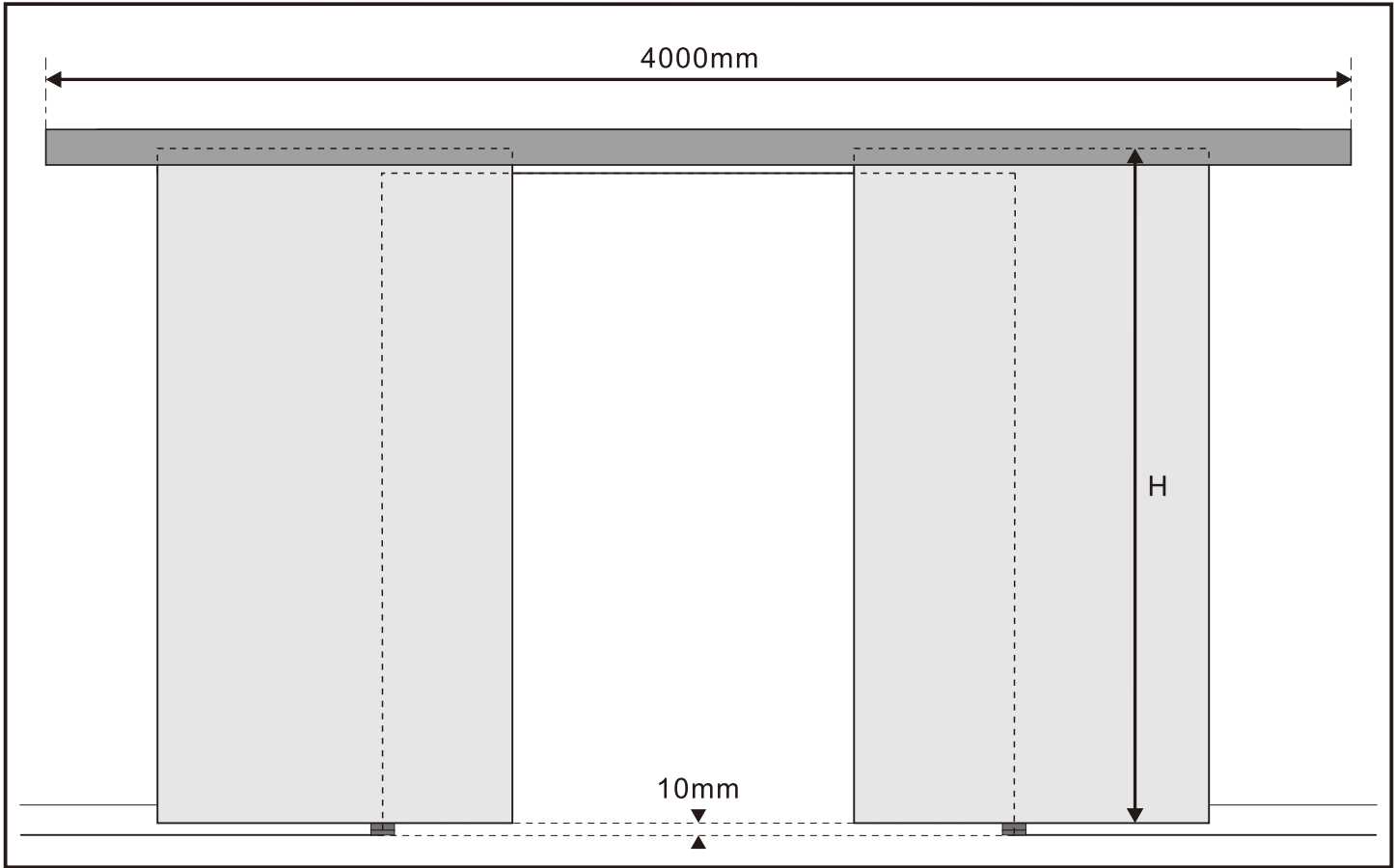
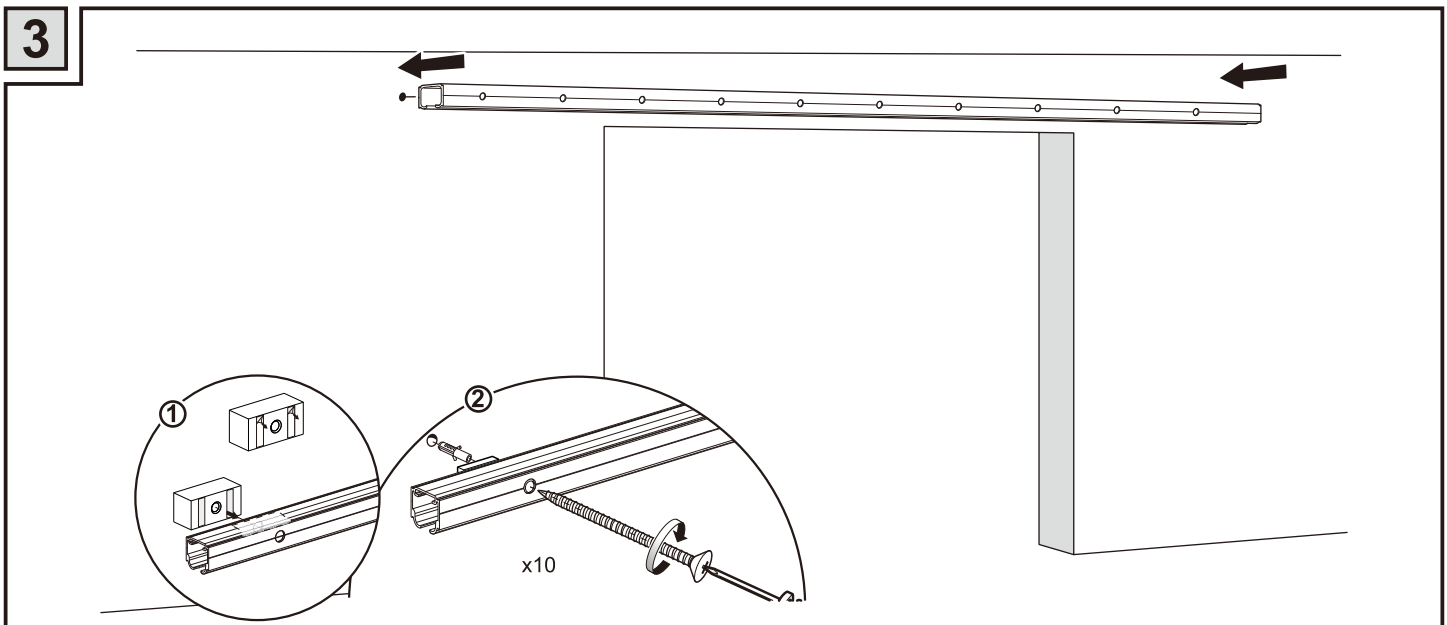
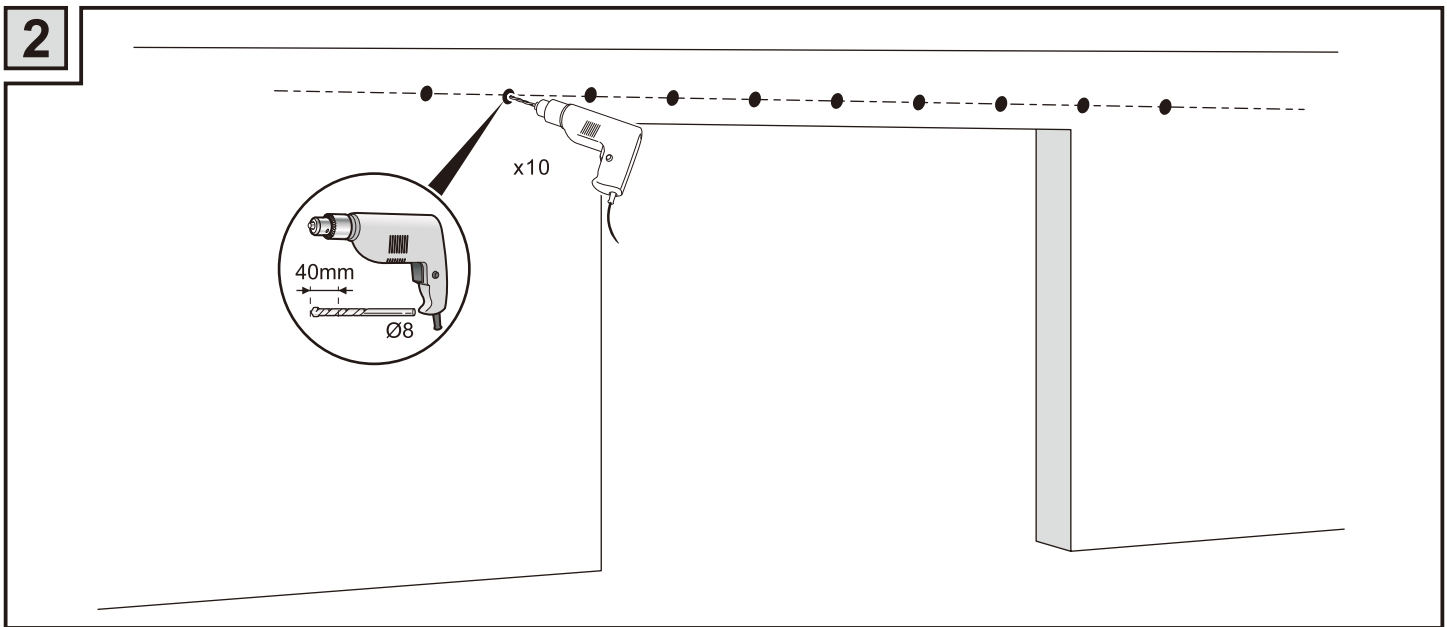
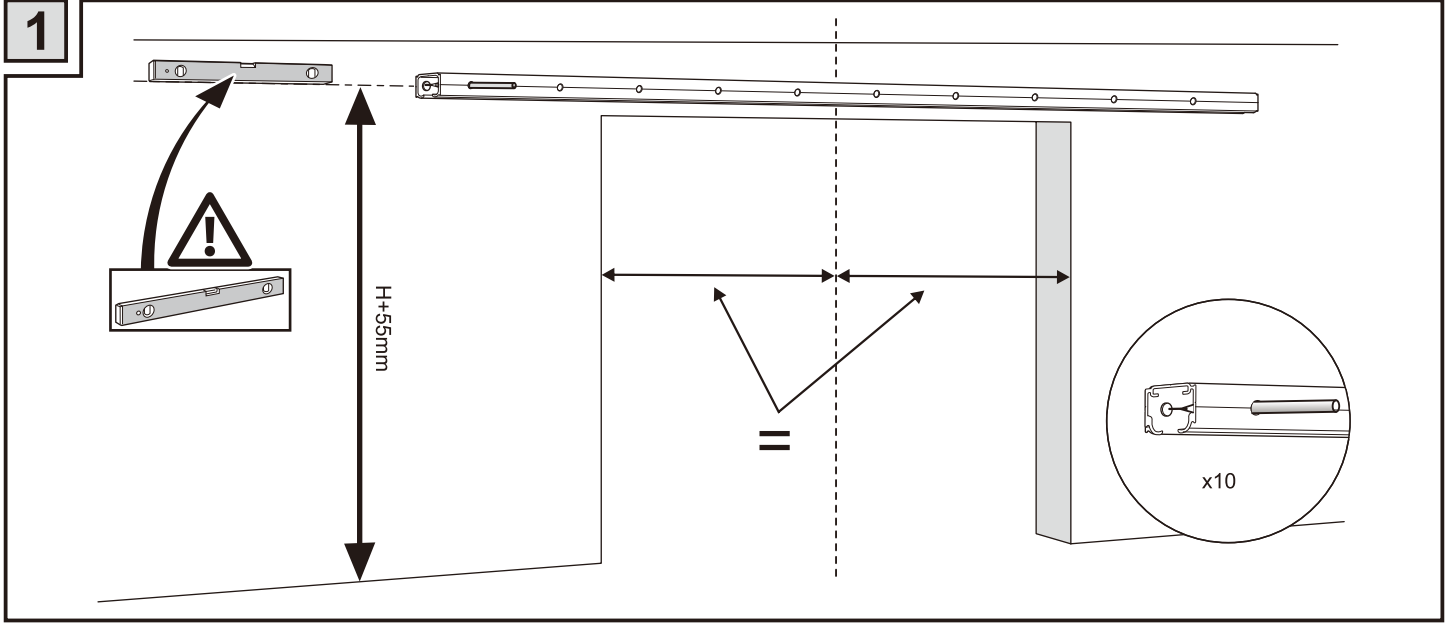


Installation Manual





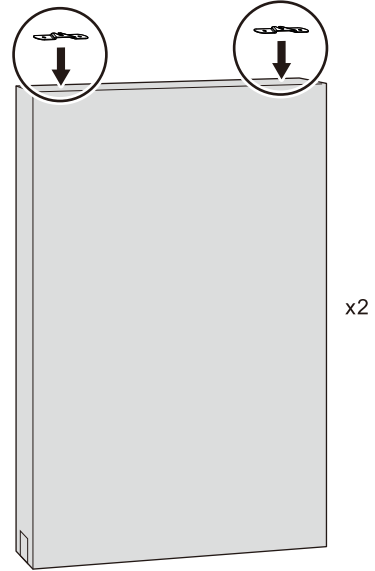
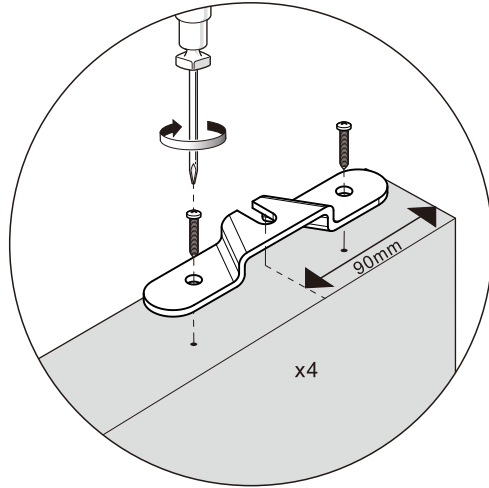
4A

Wooden Door

A Use of wooden door



ST6.3x38 (x8)



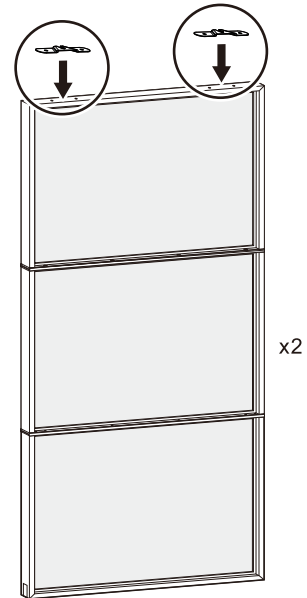
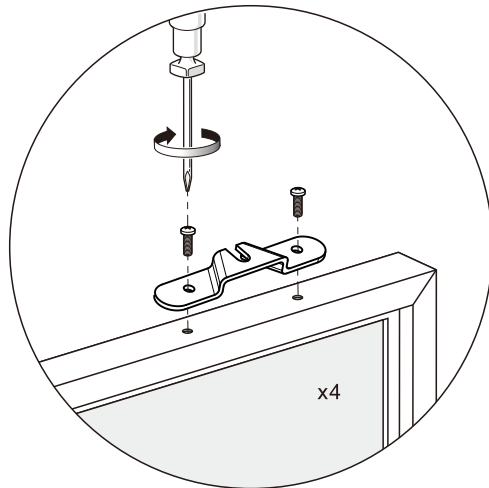
4B

Iron Frame Door

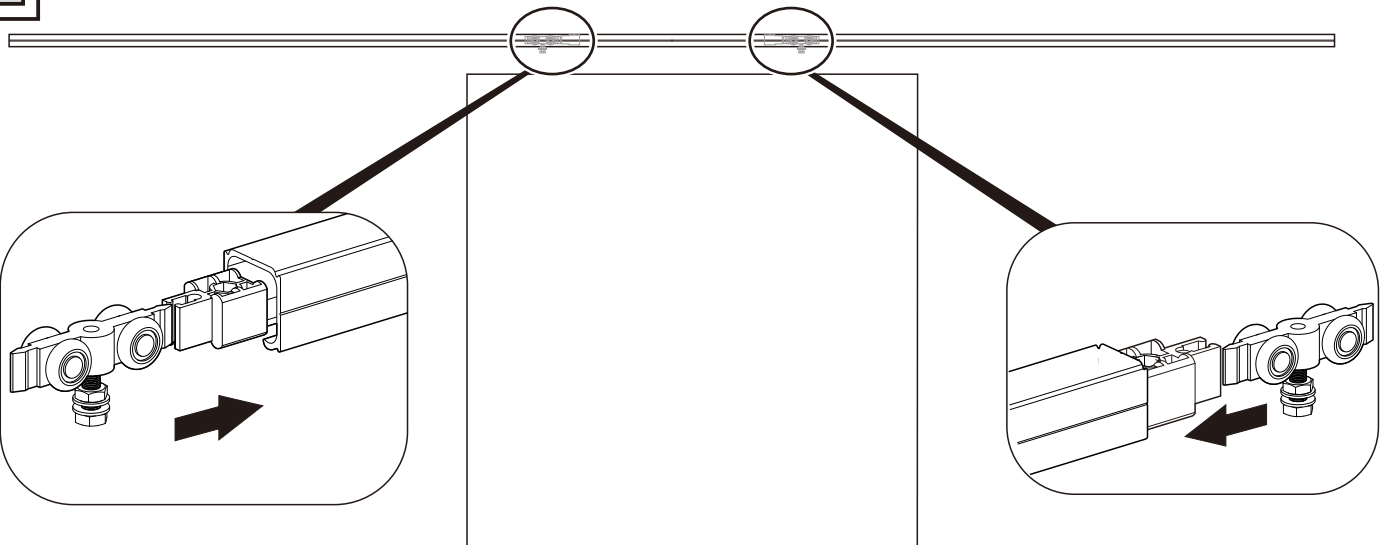
B Use of iron frame door



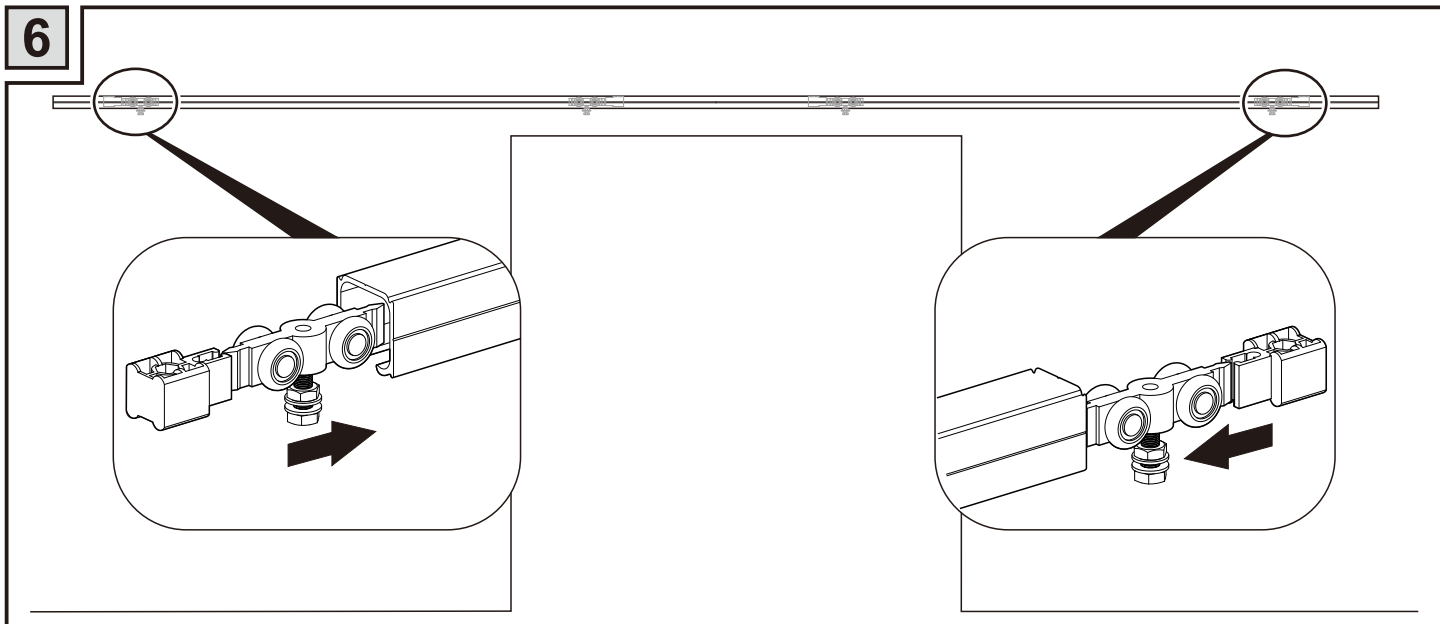
M6x12 (x8)



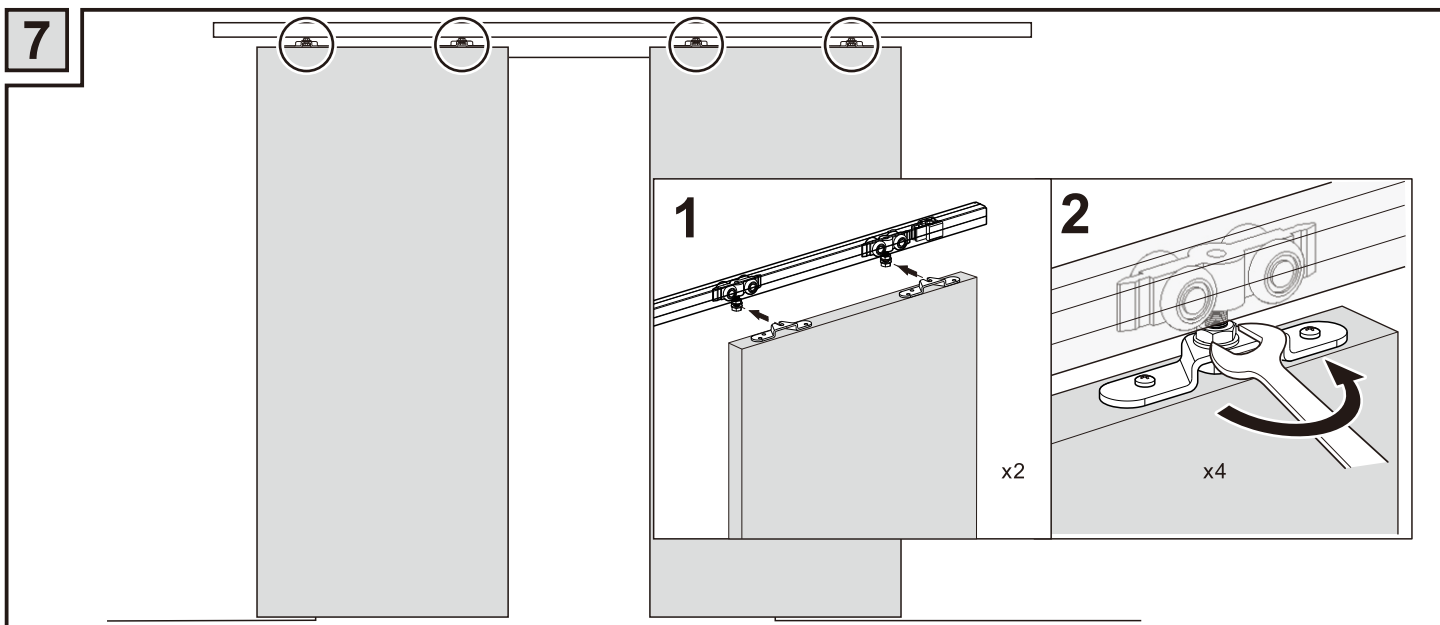
5



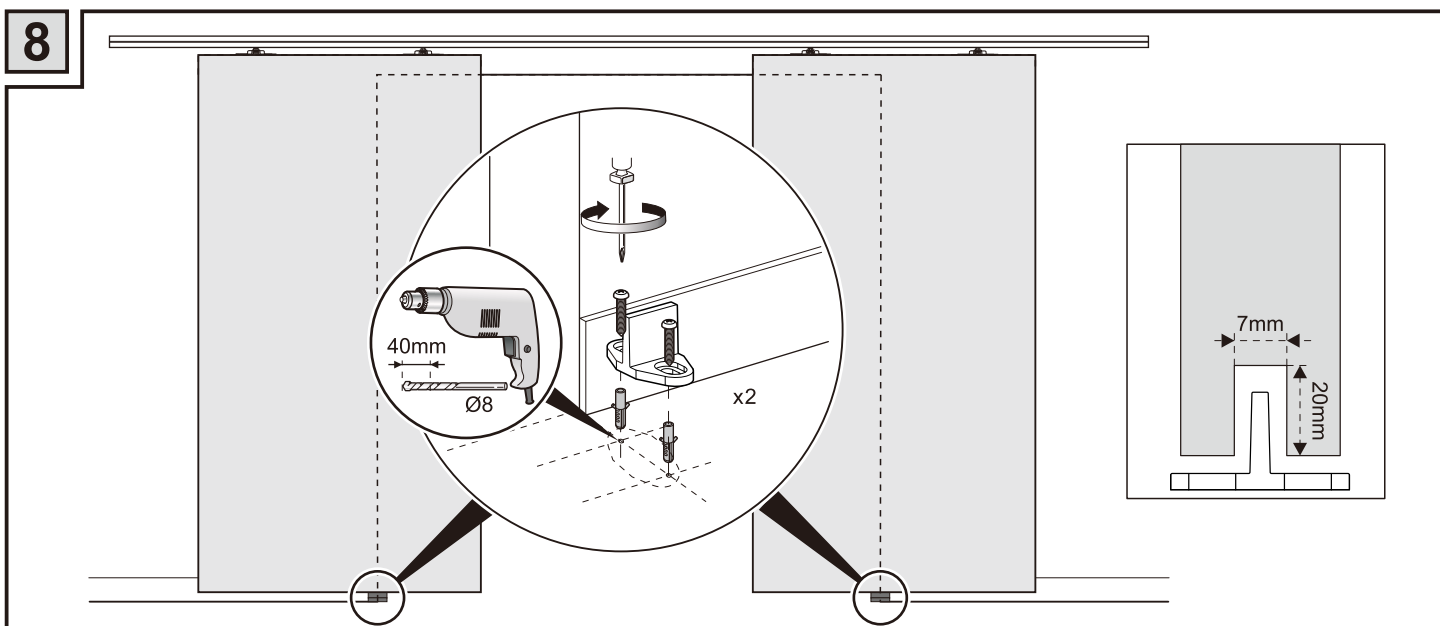
6



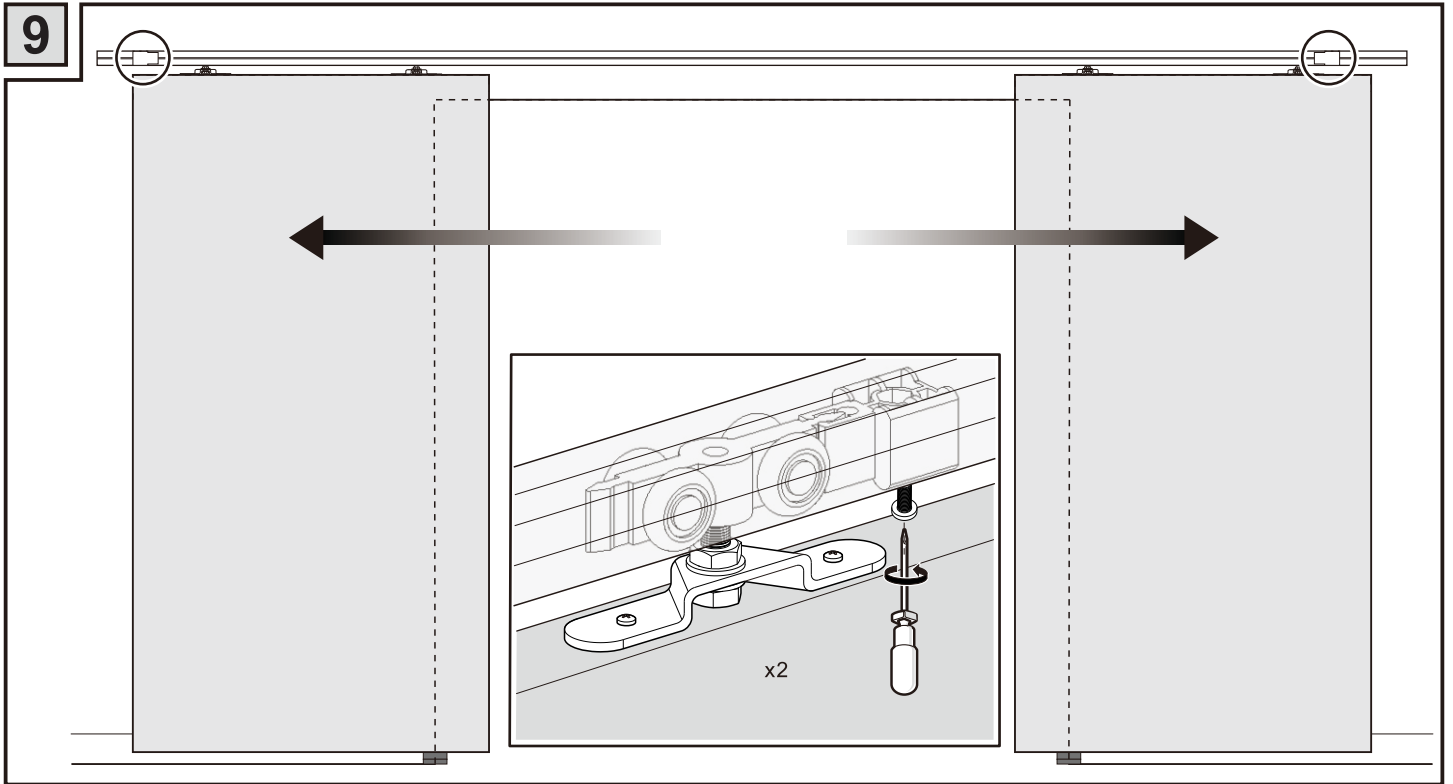
7



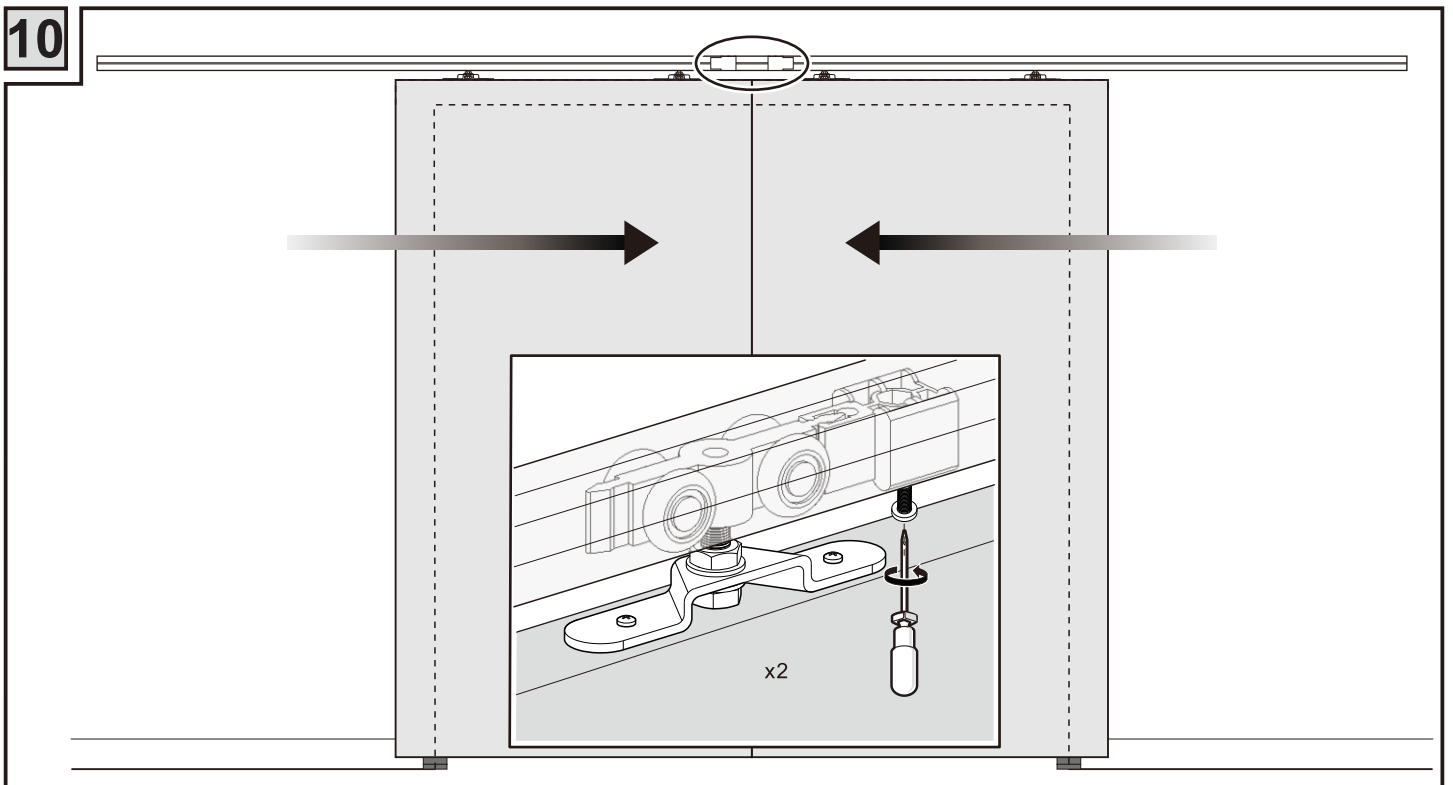
8



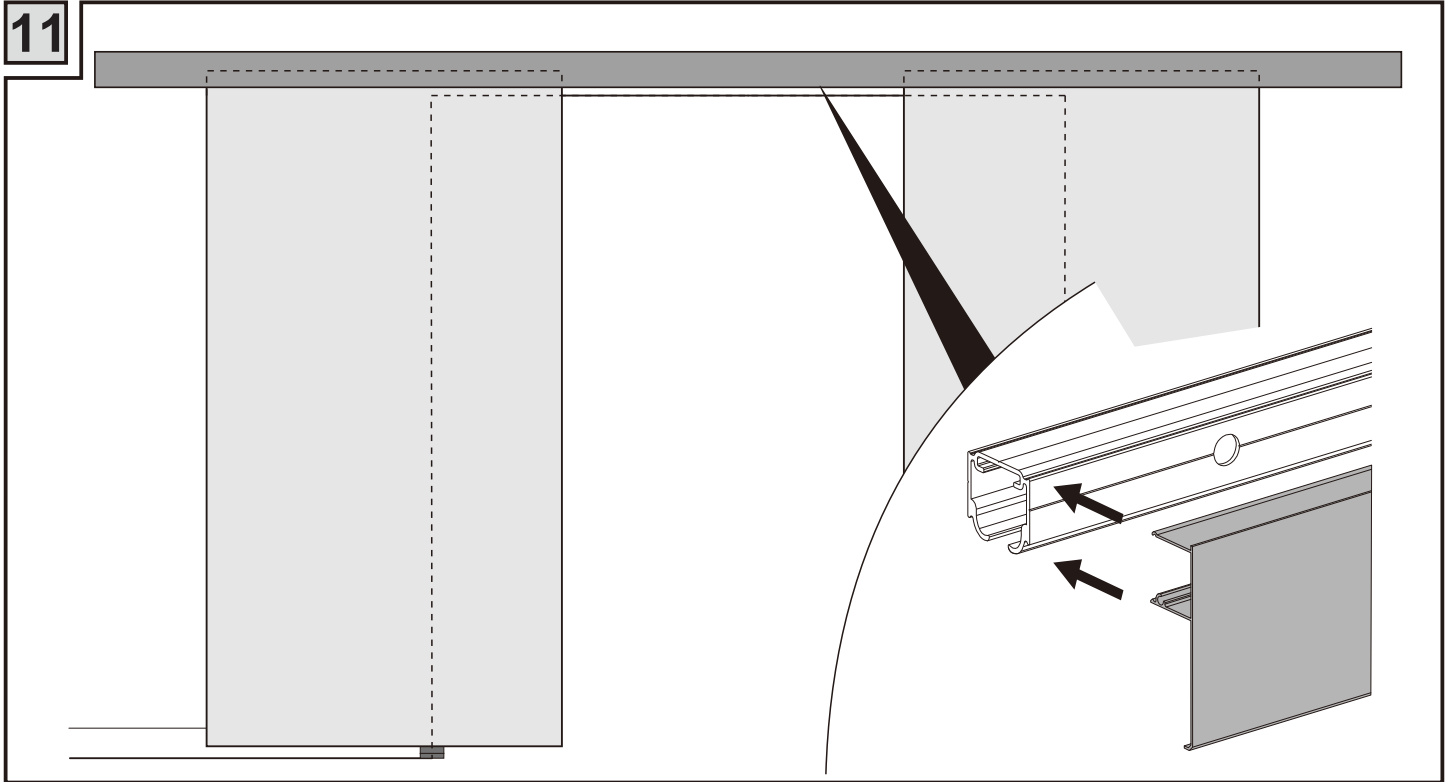
9



10



11



12

