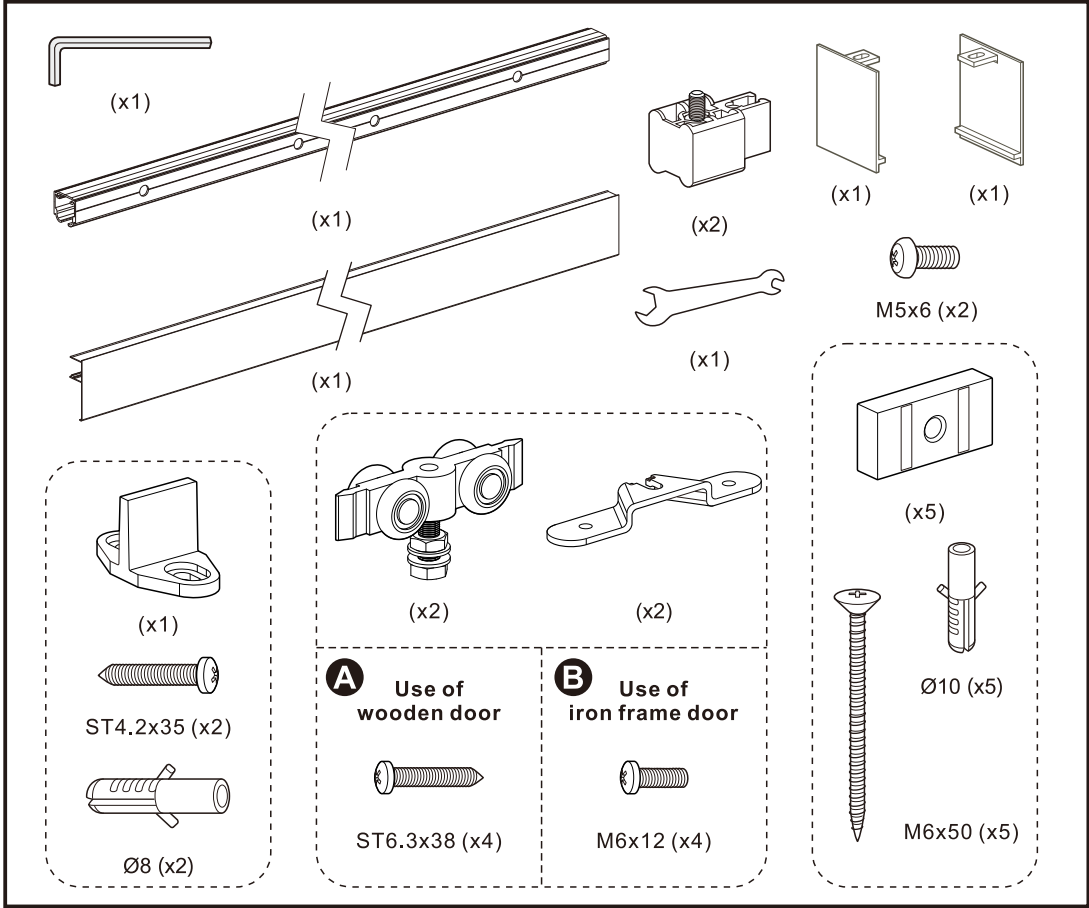
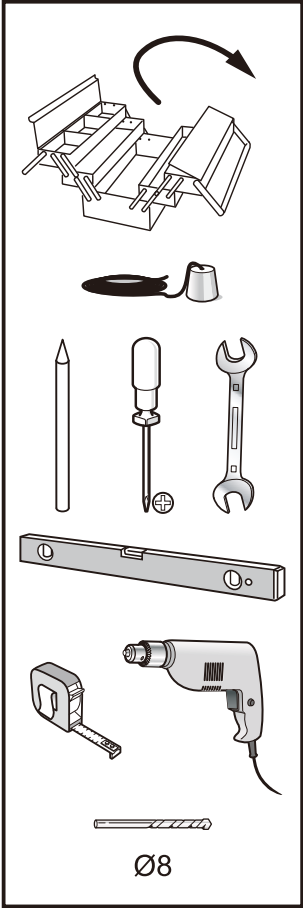
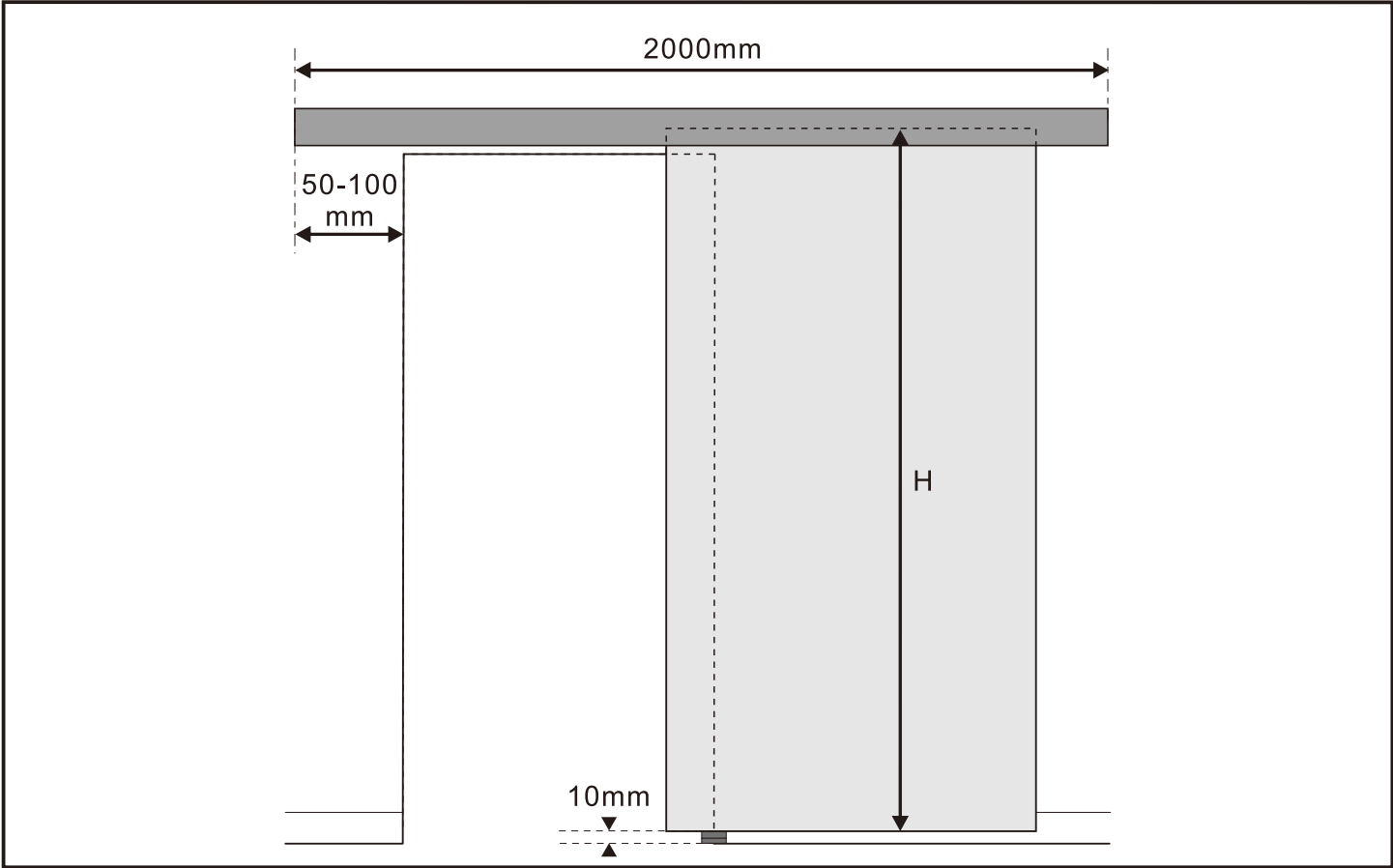
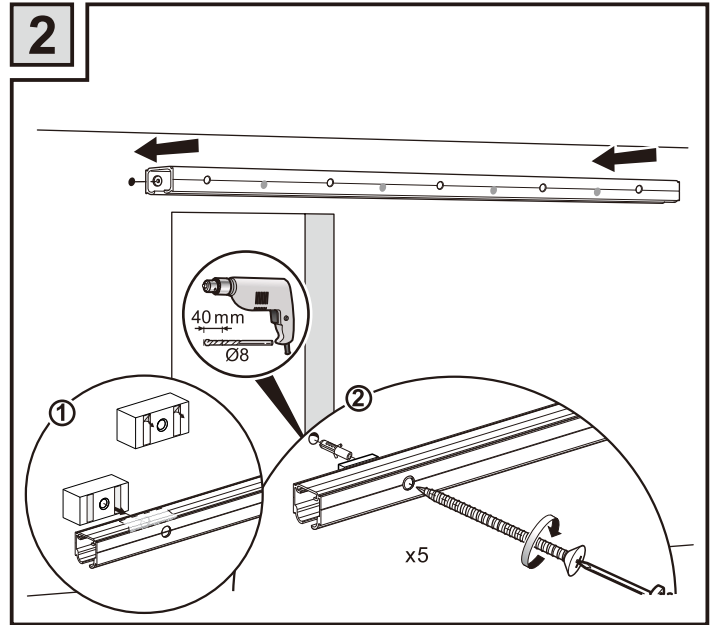
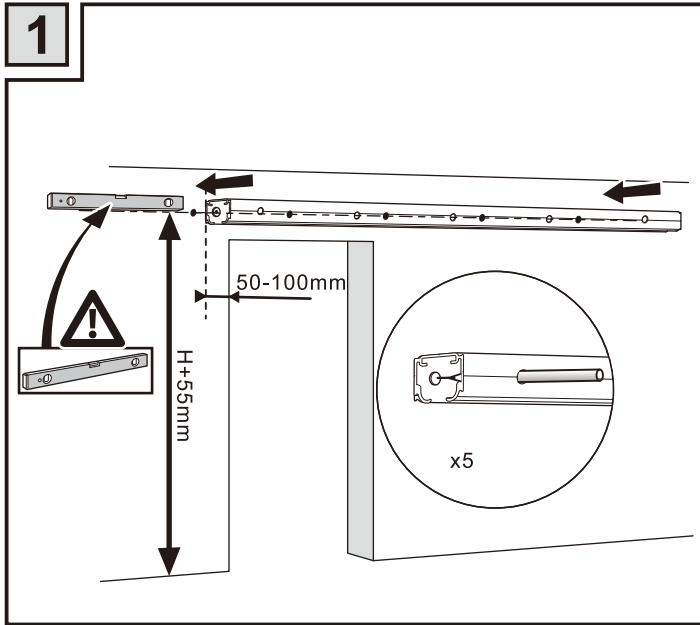
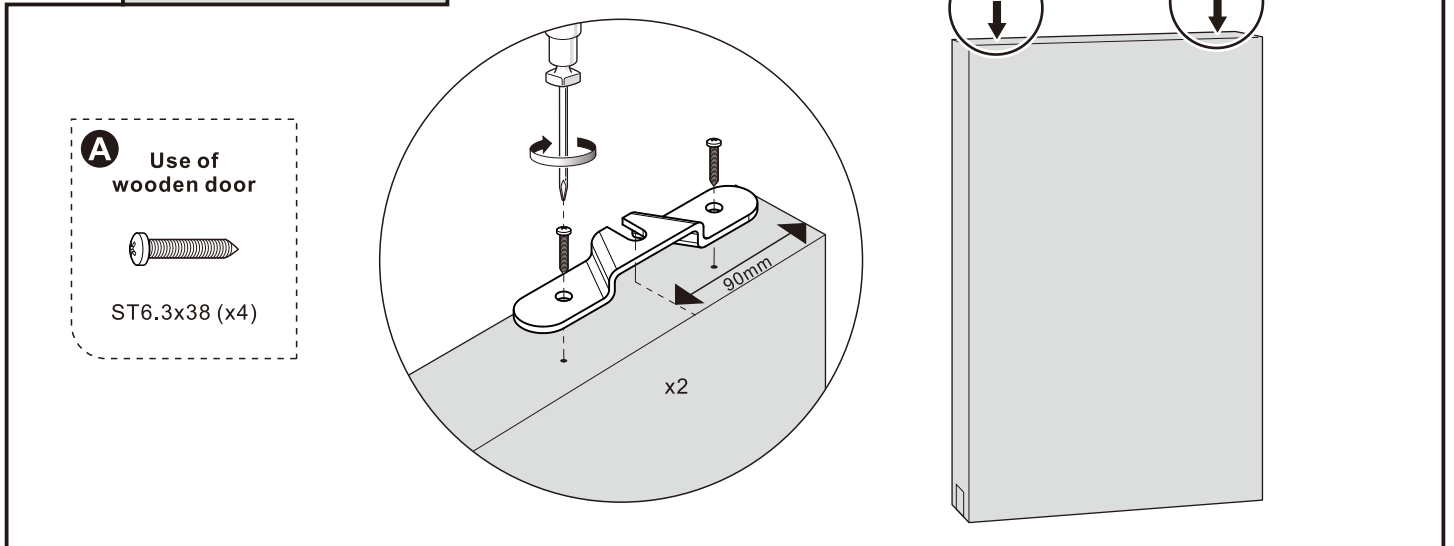


Installation Manual





3A **Wooden Door**



3B **Iron Frame Door**

