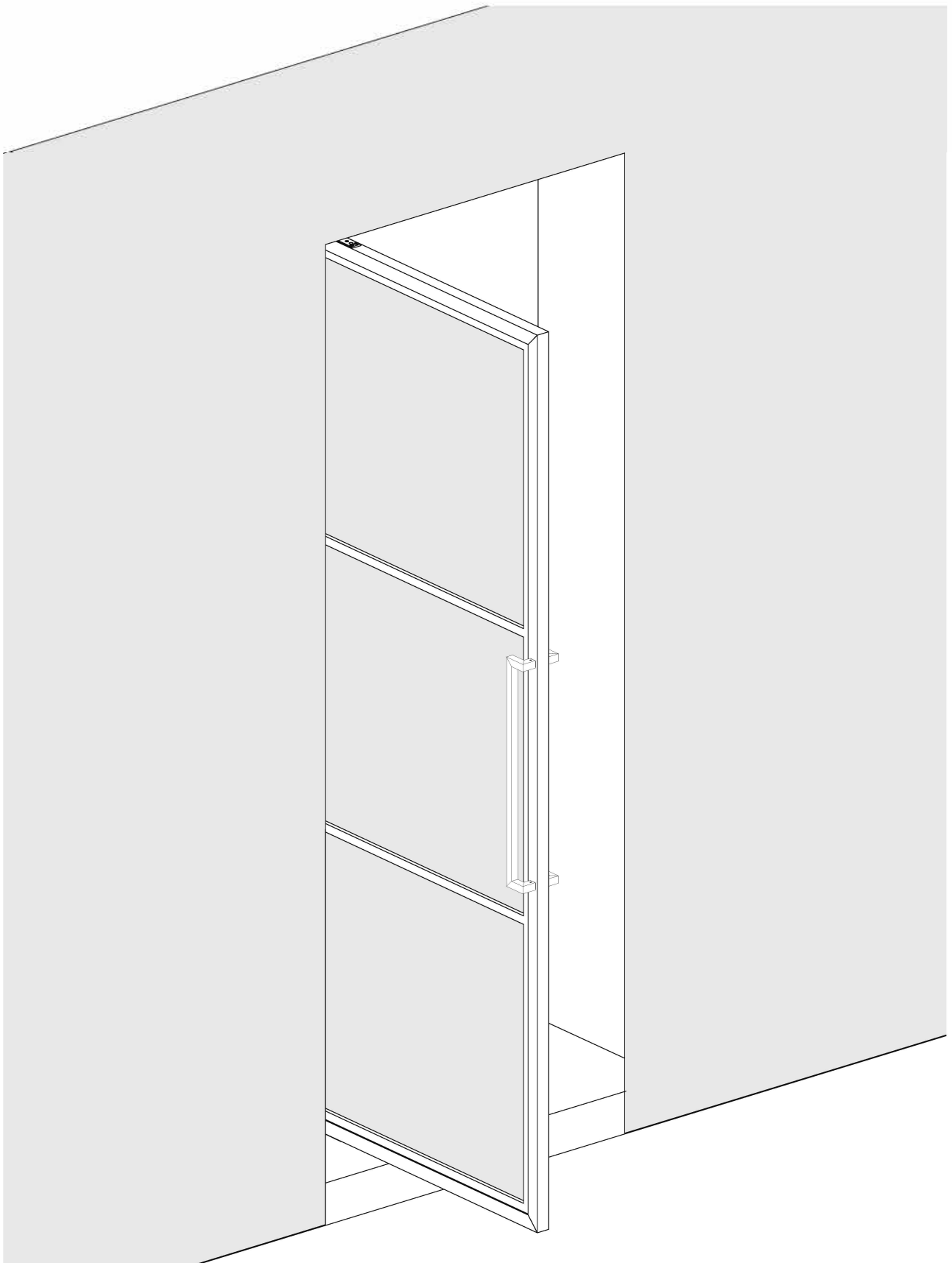
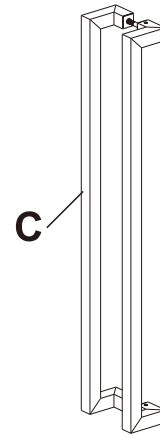
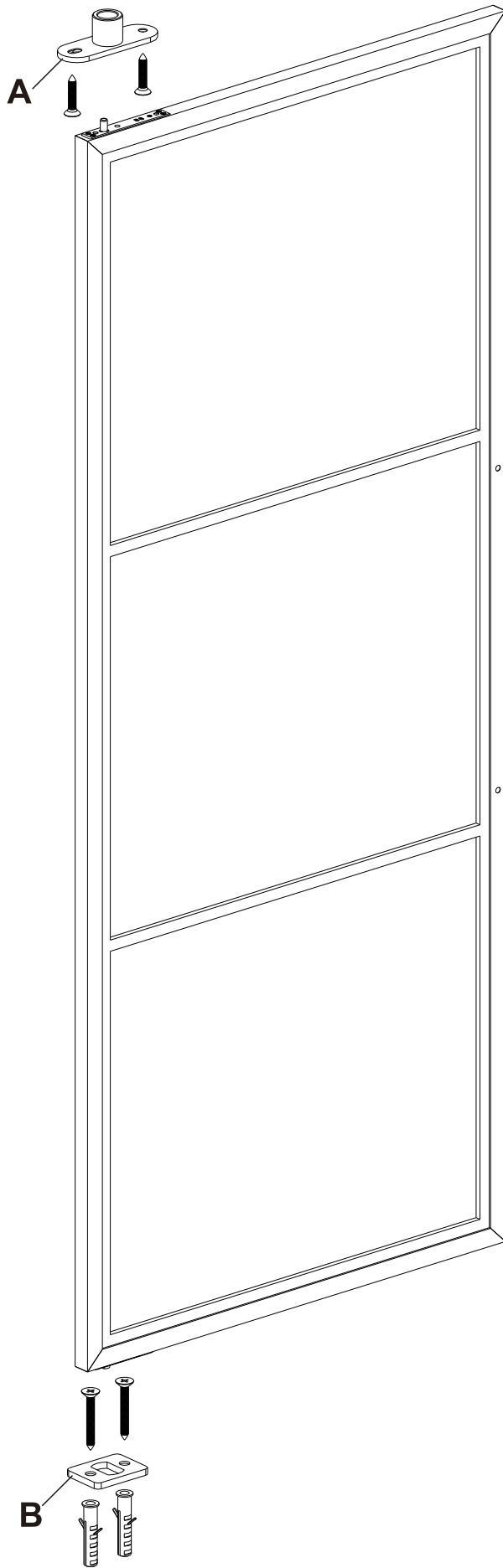


# Installation Manual

---

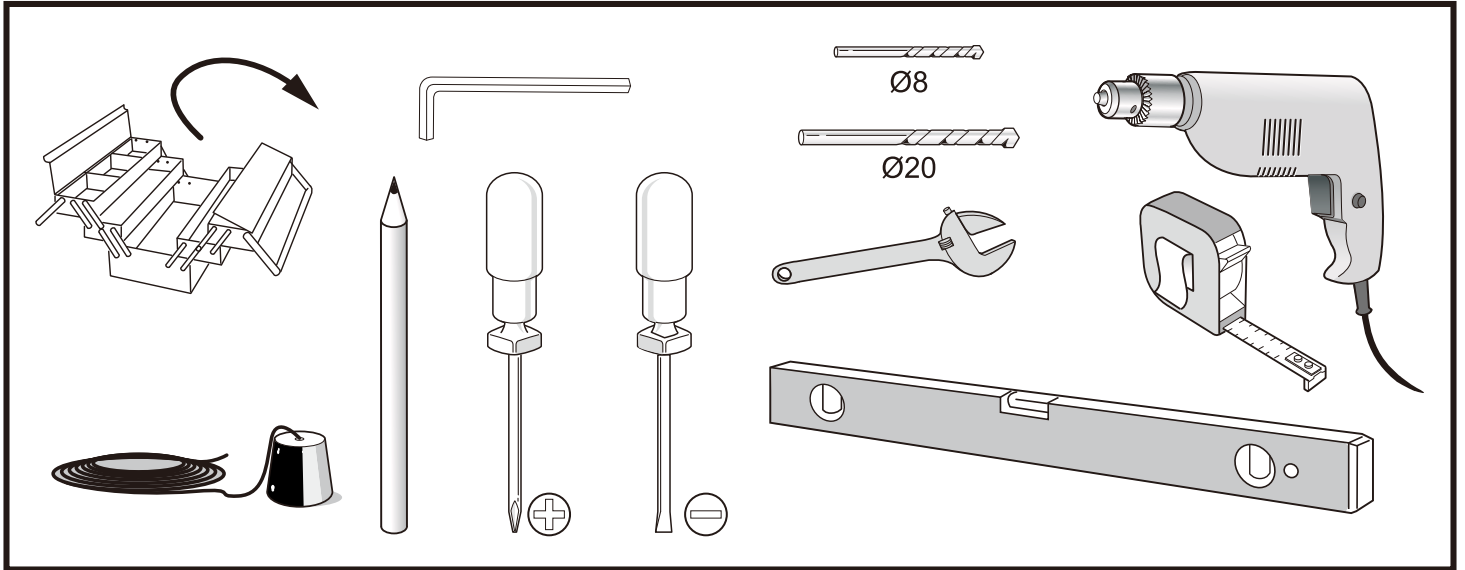


# Components list



# Pre-installation

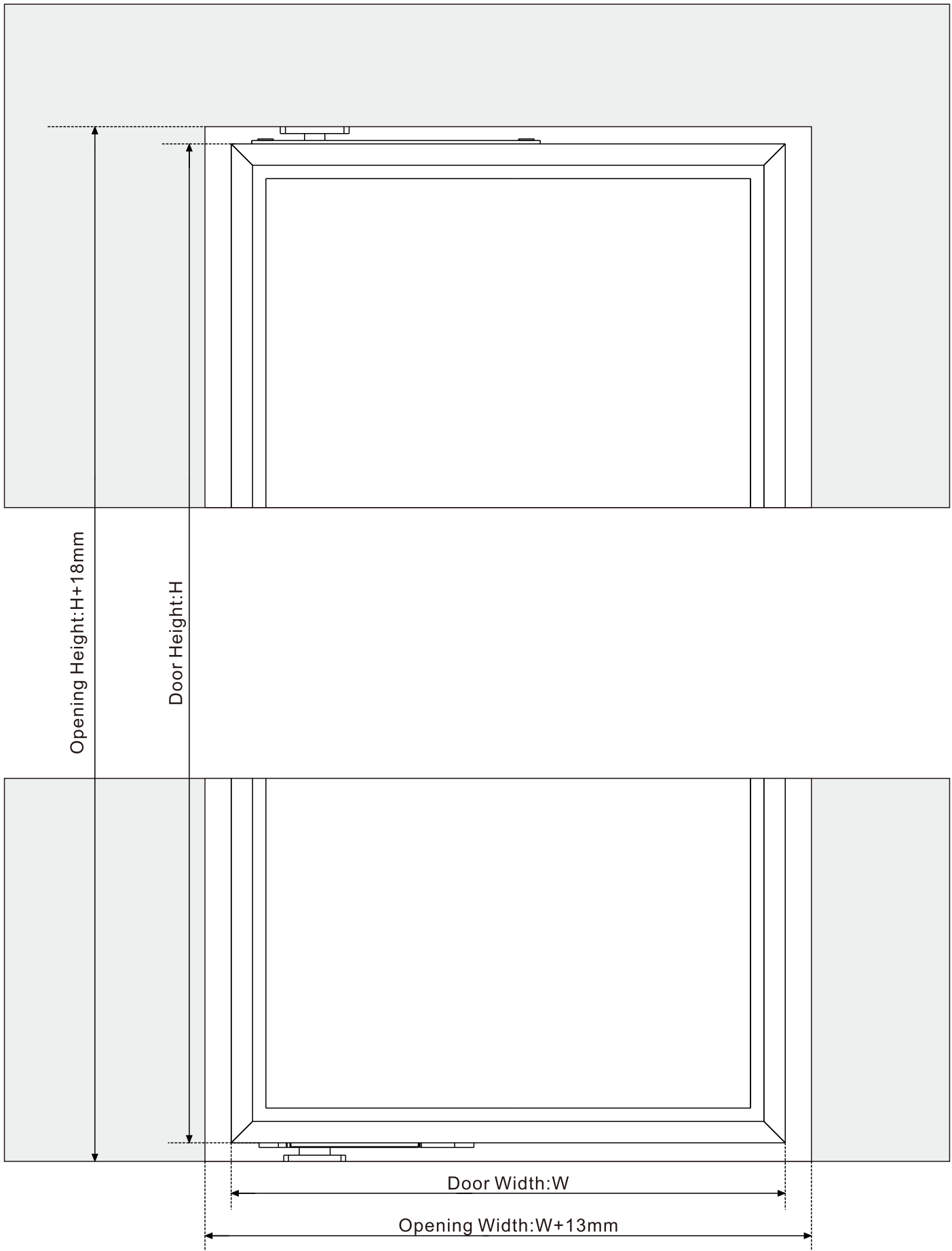
## TOOLS REQUIRED



## HARDWARE INCLUDED

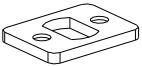
<p><b>A</b></p> <p>(x1)</p>	<p><b>Wooden Wall</b></p> <p>ST4.8x25(x2)</p> <hr/> <p><b>Cement Wall</b></p> <p>ST4.8x38(x2)      <math>\text{Ø}8</math> (x2)</p>	<p><b>C</b></p> <p>(x1)</p>	<p><b>D</b></p> <p>(x1)</p>
<p><b>B</b></p> <p>(x1)</p>	<p>ST4.8x38(x2)      <math>\text{Ø}8</math> (x2)</p>	<p><b>C</b></p> <p>(x1)</p>	<p>(x1)</p>

# Door preparation

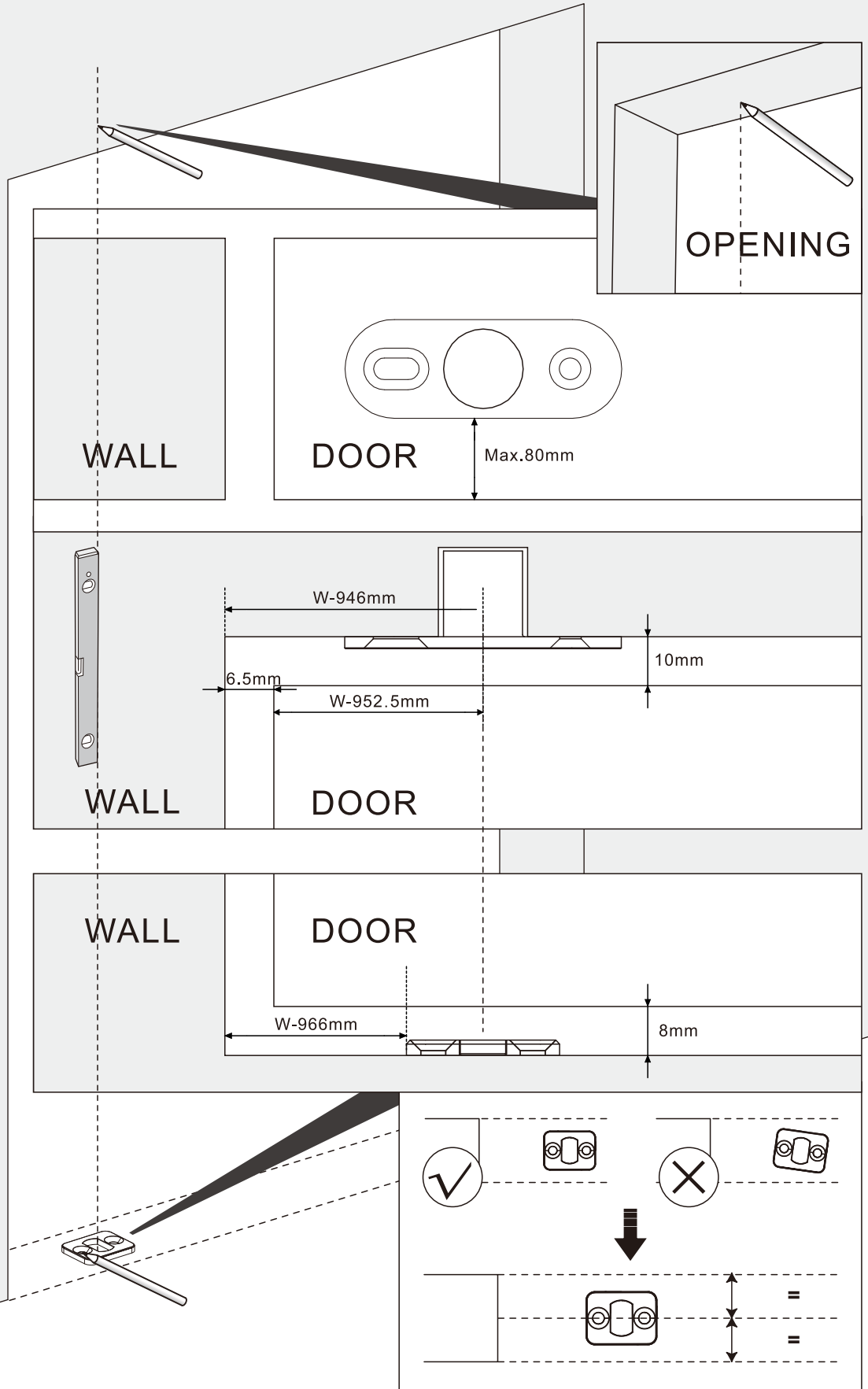


# 1B Mark the hole position by pencil.(1000mm<Door Width≤1300mm)

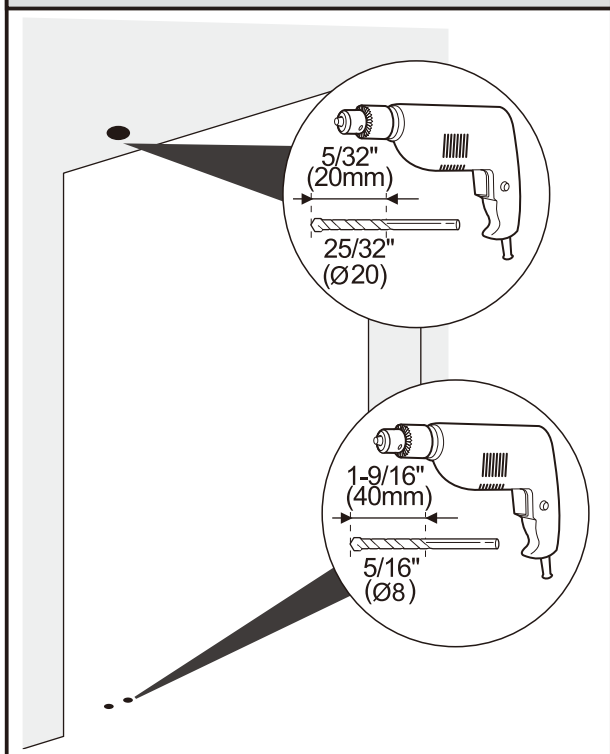
B



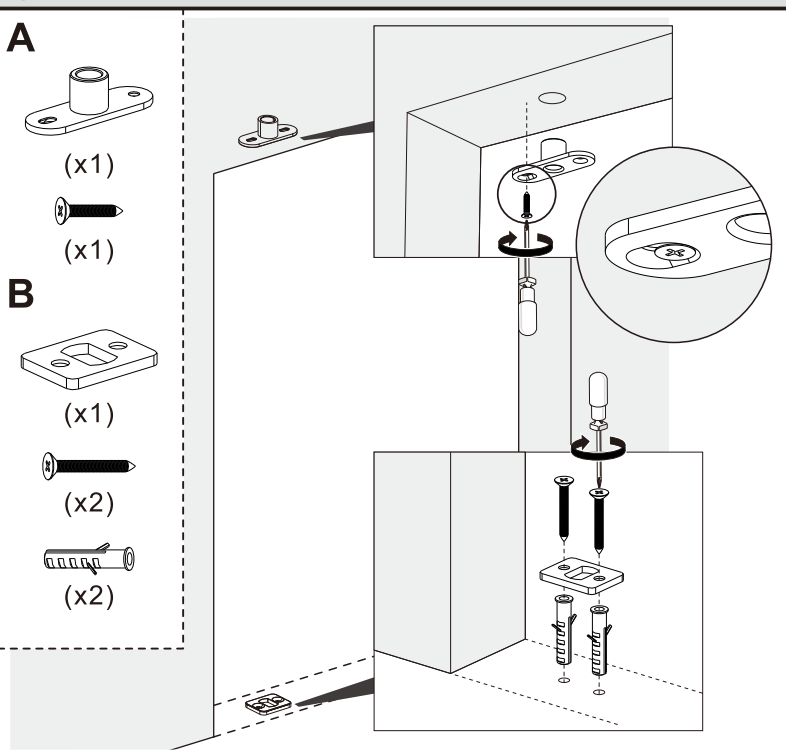
(x1)



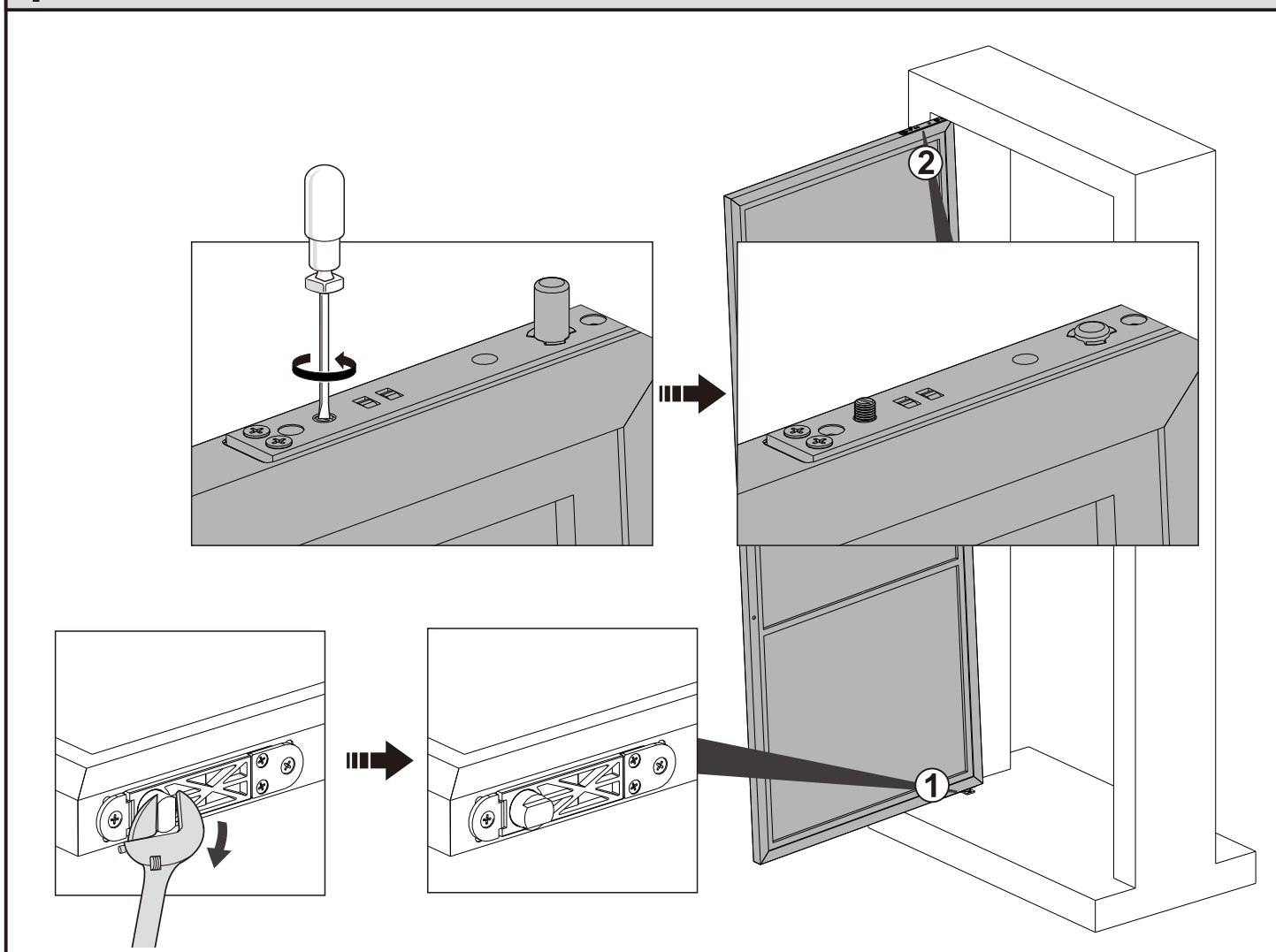
## 2 Drill holes.



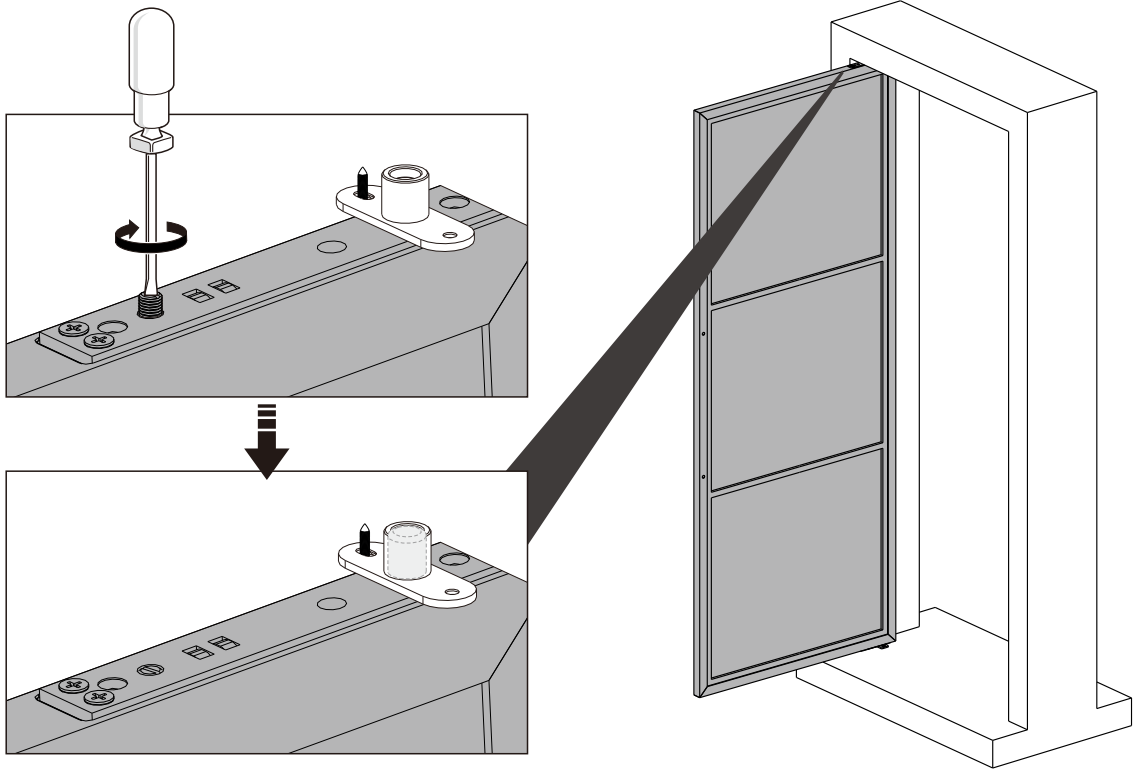
## 3 Fixing top pivot and bottom plate accordingly.



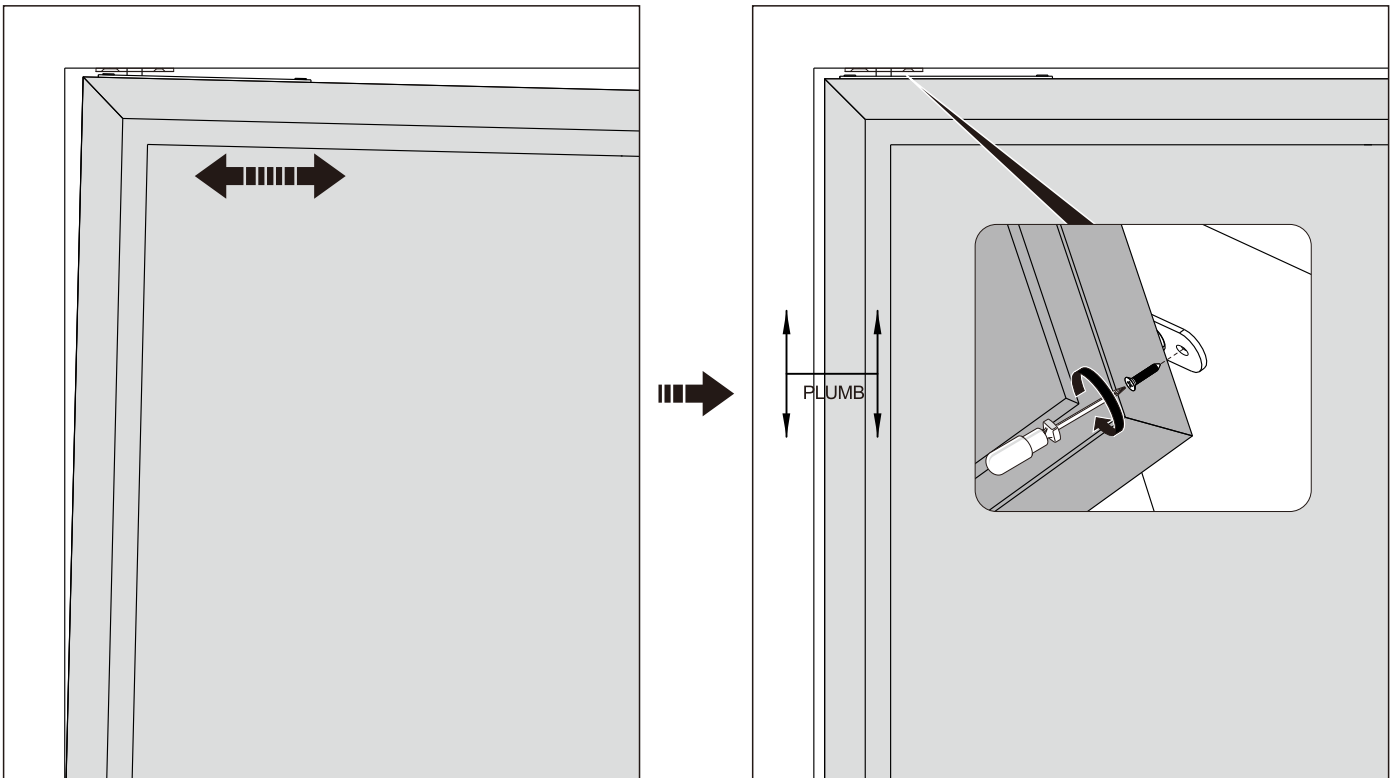
## 4 Loosen the screws to make pin retract.



**5** Fasten the screws to make pin pot out inside the top pivot.



**6** Loosen the screw in the slotted hole to ensure door is parallel with wall and fasten both screws.



**7** Remove the hinge and adjust the opening and closing door force if necessary.

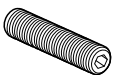
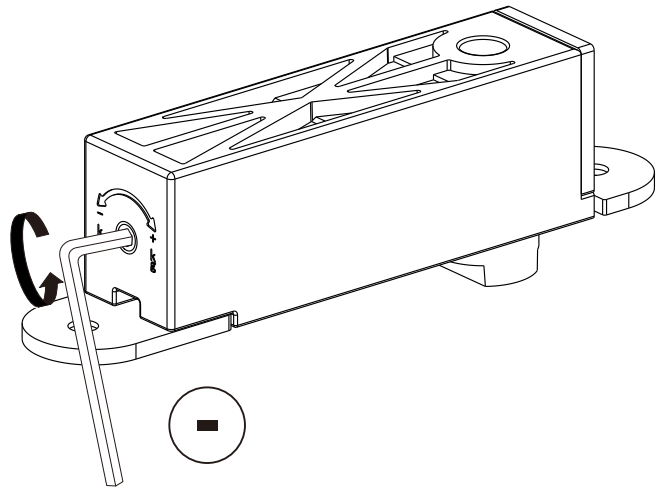
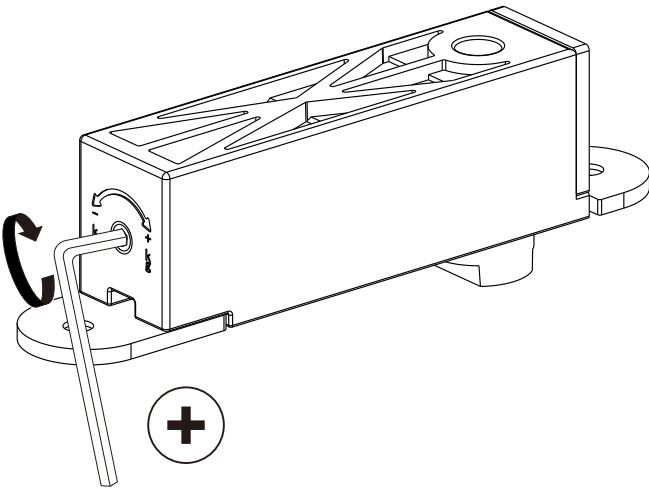
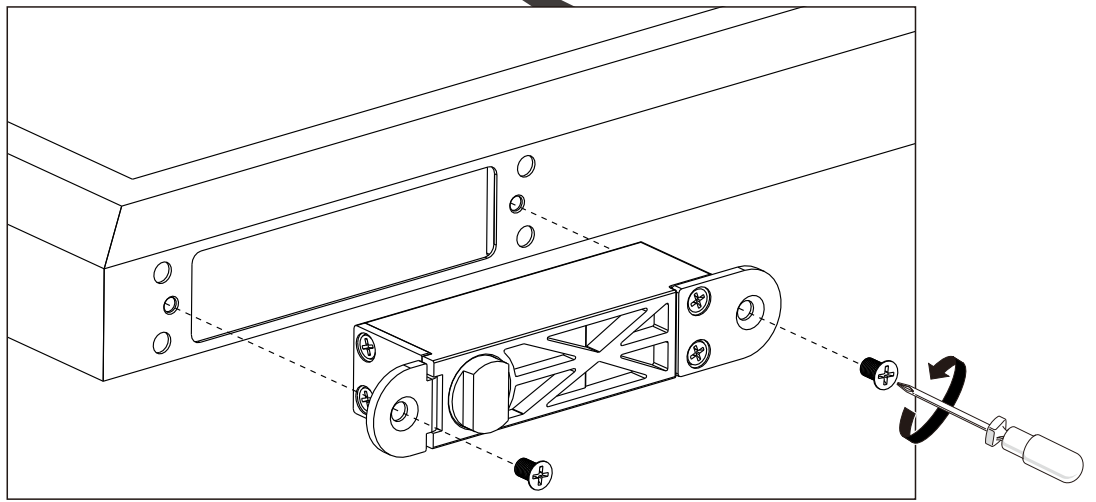
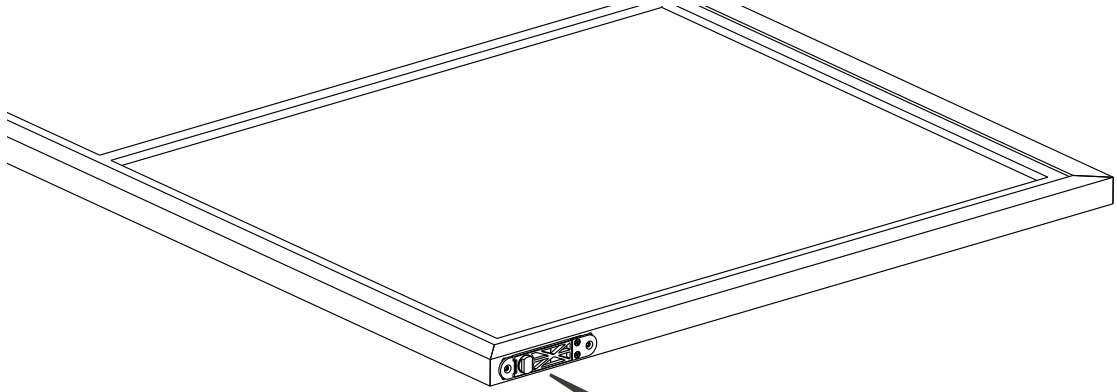
**D**



(x1)



(x1)



**NOTE:** If it is too tight to open/close the door, you can change a smaller set screw (included) for comfortable force.



## 8 Mount a handle

C



(x1)

