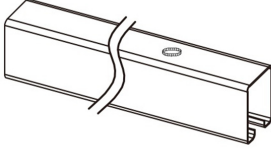

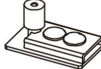

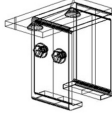



# Box Track Barn Door Hardware Installation

## Installation Instructions for Ceiling Bracket Box Track Kit

### Set Includes

 <p>1 x Heavy Duty Box Track</p>	 <p>2 x Double Axle Box Track Hangers with Apron</p>	 <p>2 x Track Mount Door Stops</p>	 <p>2 x Floor Guides</p>
		 <p>2 x Track Bracket - Ceiling Bracket</p>	 <p>2 x End Caps</p>

All necessary mounting fasteners are included.  
 \* 5ft/6ft/6.6ft track kit includes 2 brackets, 8ft track kit includes 3 brackets

### Note

Before starting, make sure to read the entirety of the installation manual before proceeding with the installation of your sliding door. Use a door wider than the opening to avoid angled views and to preserve privacy. The application, use or processing of our products as well as the implementation of your project are beyond our control and therefore fall exclusively in the installer's area of responsibility.

  Wear Safety Glasses

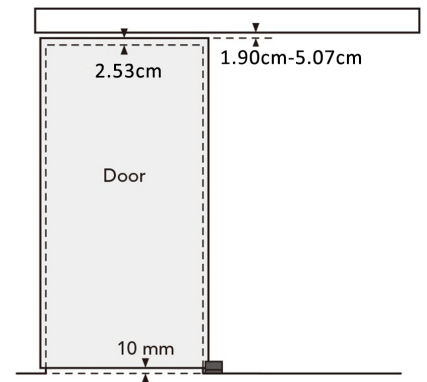
**Capacity**  
 Door Thickness: Up to 5.07cm  
 Door Weight: 250 lb

**Required**  
 Level  
 Pencil  
 Drill Bits  
 Drill  
 Measuring Tape  
 Phillips Screwdriver  
 Adjustable Wrench

### Hanging the Track

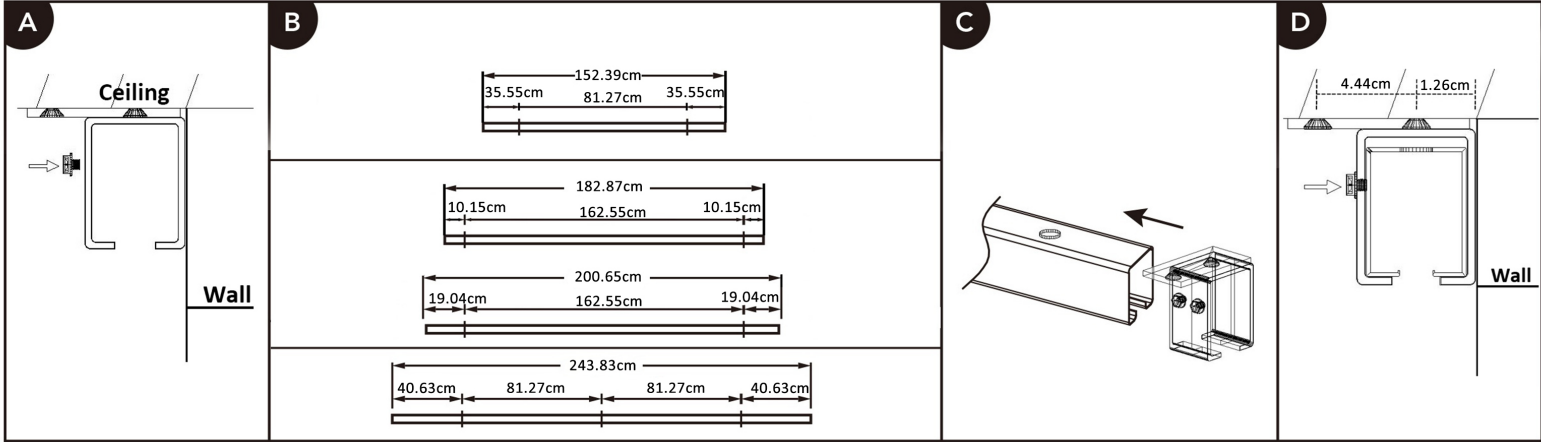
- Track was pre-drilled holes for ceiling bracket.
- Mount the bracket on the ceiling directly for solid ceiling.
  - Re-drill holes on the track to make it suitable for studs ceiling.
  - Add a wood board under the ceiling if your door panel is too short.

Bolt's length that connector roller and apron is adjustable (1.90cm-5.07cm)  
 Door panel's height is ceiling height minus (12.06cm~15.23cm)



# Box Track Barn Door Hardware Installation

1.



1. Mount the ceiling bracket next to the side wall.

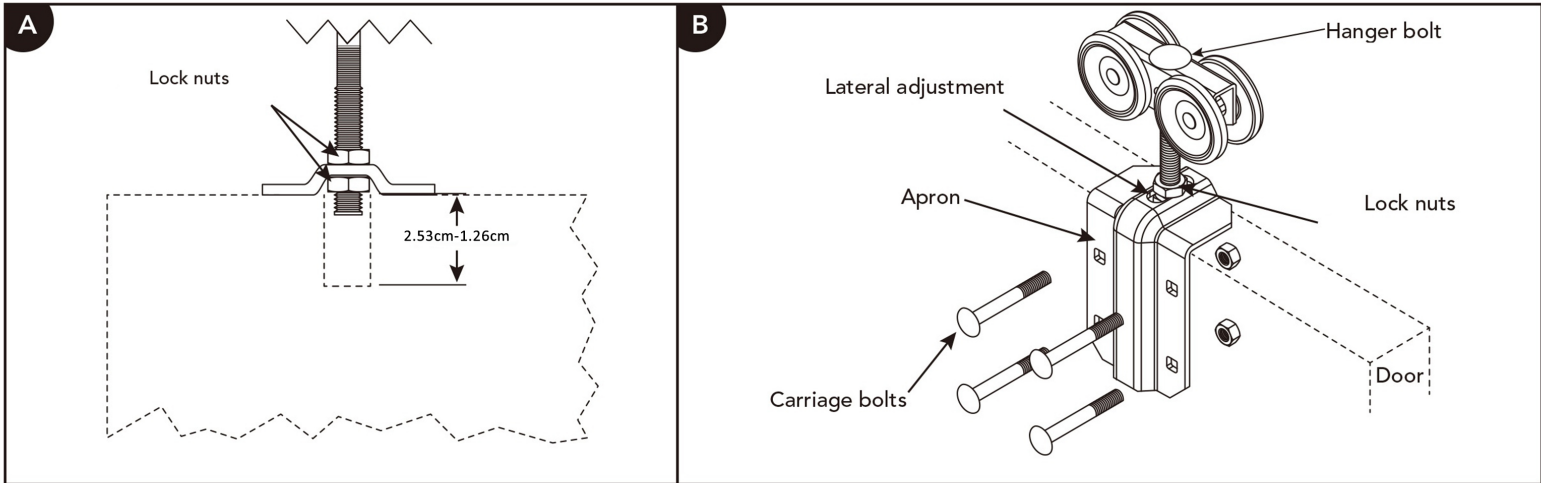
E.g. the gap between door and wall is about 1.90cm~0.95cm based on door thickness 3.49cm~4.44cm .

Note: Leave some space between ceiling bracket and wall for situation below:

- a. door panel thickness thicker than 4.44cm
- b. opening has base board or thick door frame

2. Mark screw hole locations. Be sure to align markings with a level before drilling. Note: It is recommended to have a mounting bracket at every 81.27cm , as shown in Fig. B.
3. Drill pilot holes.
4. Slide brackets onto tracks and use included lag screws to fasten assembly to structural member.

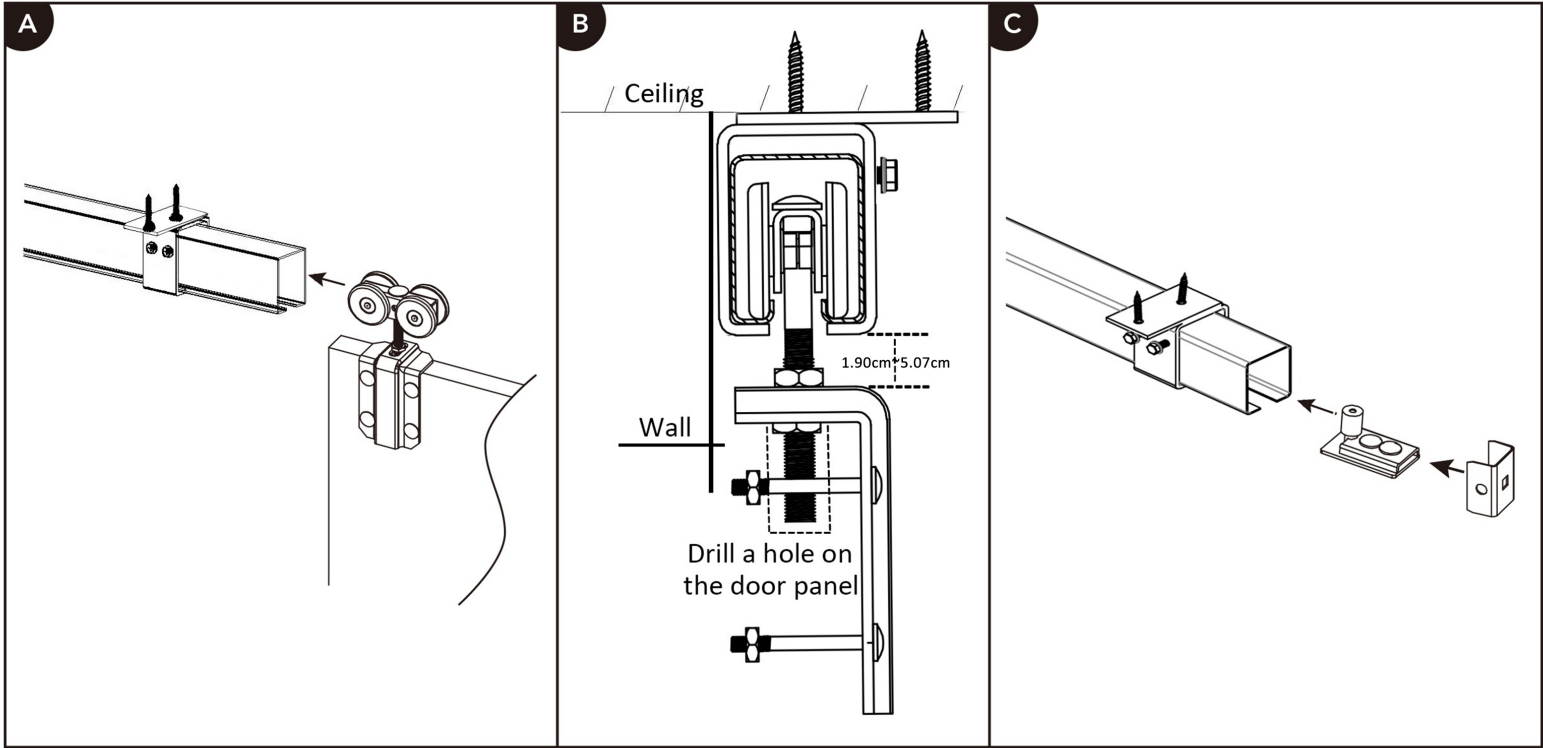
2.



1. Assemble hanger and apron.
2. Place hangers to distribute door weight load evenly, approximately 7.61cm from each door edge.
3. Place apron flush against the top of door, mark and drill 0.79cm through holes for carriage bolts on side of door.
4. Drill a 1.26cm slot with a minimum 2.53cm depth on top of door for hanger bolt to allow for full adjustment as shown in Fig. A.
5. Mount hanger on door as shown in Fig. B. Apron is mounted on the outside of the door.
6. Vertical adjustment is made by turning the lock nut on top with a wrench.
7. Lateral adjustment is made with slot in apron. When adjustments are complete, securely tighten lock nuts against apron while holding the hanger bolt flat with a wrench.

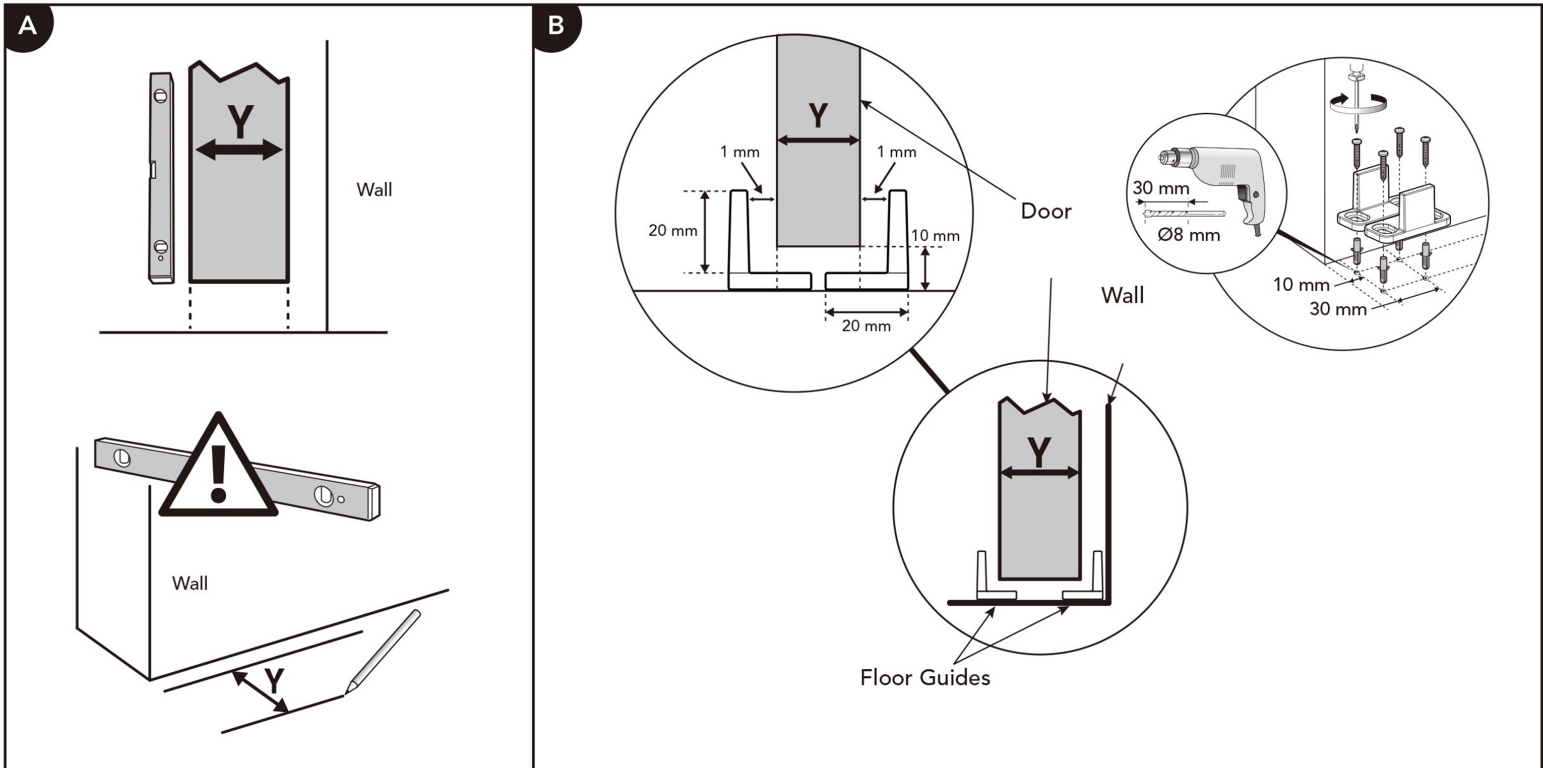
# Box Track Barn Door Hardware Installation

3.



1. Insert door with hangers into top track.
2. Make any necessary adjustments to hanger. Recommend to make gap dimensions between apron and track: 3.80cm .
3. Insert door stops as shown and locate to desired door position stop by tightening bolts.
4. Insert end caps into track ends.

4.



1. Mark the thickness of the door (Y) on the floor on the side where the door will slide. Use a level to make sure the lines are parallel to the wall.
2. Place guides facing each other, approximately 10 mm from edge of door opening, leaving a 1 mm clearance on each the (Y) marks.
3. Mark guide and screw location on the floor.
4. Pre-drill screw holes using a Ø8 mm x 30 mm drill bit.
5. Insert provided floor anchors in pre-drilled holes.
6. Fasten using provided screws.